



Door Closers

ASSA ABLOY

The global leader in
door opening solutions

ASSA ABLOY Door Closers

Features & Benefits

Door Closer

Key features:

- Non-handed system
- Fire rated options

Benefits:

- Versatile usage
- High durability

Standard & Certification

EN1154
EN1155
CE Marked

Technical details:

- Adjustable power sizes
- Suitable for wood, glass, metal and fire rated doors
- Available finishes - Silver, customized finishes available on request
- Additional accessories: Smoke detector, fire alarm, fire indication
- All ASSA ABLOY door closers come with optional parallel arm

Closer Selection Chart:

Door width (mm)	Max door weight (kg)	Closer size
<750	20kg	1
850	40kg	2
950	60kg	3
1100	80kg	4
1250	100kg	5
1400	120kg	6
1600	160kg	7

*All dimensions are in mm



ASSA ABLOY Door Closers

Cam-motion® for optimum convenience in opening doors

Cam-motion® for optimum convenience in opening doors

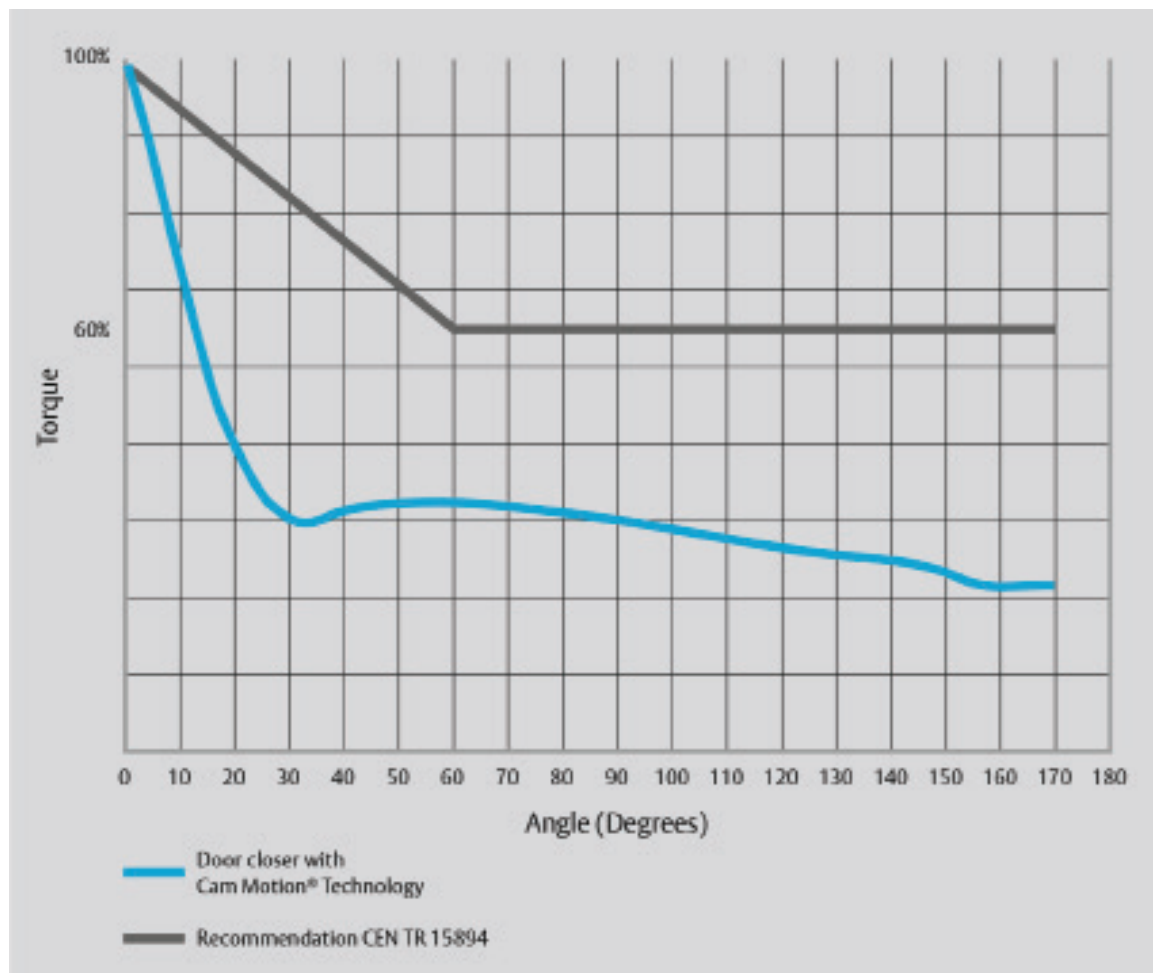
Cam-motion® Technology:

ASSA ABLOY Cam-motion® technology enables guide rail door closers to comply with CEN TR 15894 requirements.

Safe in an emergency:

You'll be on the safe side with ASSA ABLOY since our door closers meet national and international provisions and regulations. Smoke protection and fire doors may only be fitted with door closer systems complying with EN1154/EN1155/EN1158. ASSA ABLOY supplies approved door closer systems for single and double leaf smoke and fire doors with different usage requirements.

Rapidly decreasing torque in a Cam Motion® Door Closer from ASSA ABLOY



ASSA ABLOY Door Closers

use state-of-the-art technology

Door Closer - Overview of functions										
Models	Type	Sizes	Max. door width (mm)	Door swing directions	Closing speed	Latching speed	Back-check	Delayed action	Fire doors (CE/UL)	Dimension L x D x H (mm)
DC110	Rack and Pinion	EN3	950	Non-handed	Variable between 180°-15°	Variable between 15°-0°	-	-	✓	182 x 60 x 41
DC115	Rack and Pinion	2/3/4	850-1100	Non-handed	Variable between 180°-15°	Variable between 15°-0°	-	-	UL	183 x 67 x 44.5
DC116	Rack and Pinion	2/3/4	850-1100	Non-handed	Variable between 180°-15°	Variable between 15°-0°	Optional	-	UL	179 x 41. x 42
DC120	Rack and Pinion	EN2/3/4	850-1100	Non-handed	Variable between 180°-15°	Variable between 15°-0°	Variable above 75°	-	✓	220 x 47 x 52
DC125	Rack and Pinion	4, fixed	1100	Non-handed	Variable between 180°-15°	Variable between 15°-0°	Variable above 75°	-	UL	223 x 67 x 45
DC135	Rack and Pinion	EN3, fixed	950	Non-handed	Variable between 180°-15°	Variable between 15°-0°	Variable above 75°	-	CE	233 x 43 x 60
DC200	Rack and Pinion	EN2-4	850-1100	Non-handed	Variable between 180°-15°	Variable between 15°-0°	Variable above 75°	-	CE	233 x 43 x 60
DC300	Surface Mounted	EN3-6	950-1400	Non-handed	Variable between 180°-15°	Variable between 15°-0°	Variable above 75°	O	CE	260 x 47 x 60
DC500	Surface Mounted	EN1-4	750 -1100	Non-handed	Variable between 170°-15°	Variable between 15°-0°	Variable above 75°	-	CE	270 x 57 x 64
DC700	Surface Mounted	EN3-6	950 -1400	Non-handed	Variable between 170°-15°	Variable between 15°-0°		O	CE	215 x 32 x 54
DC703	Concealed	EN3	950	Non-handed	Variable between 120°-15°	Variable between 15°-0°	Variable above 75°	-	CE	215 x 32 x 54
DC800	Concealed	EN3, & EN4	950 -1100	Non-handed	Variable between 115°-15°	Variable between 15°-0°	Variable above 75°	-	-	200 x 32 x 54
DC901	Concealed	EN2-4	850 -1100	Non-handed	Variable between 120°-15°	Variable between 15°-0°	Variable above 75°	-	-	236 x 36 x 59
DC860	Concealed	EN1-5	750 -1250	Non-handed	Variable between 120°-7°	Variable between 7°-0°	Variable above 75°	-	CE	290 x 40 x 54
DC280 SRHO	Surface Mounted	EN2-5	750 -1250	Non-handed	Variable between 180°-15°	Variable between 15°-0°	-	-	-	236 x 38.5 x 60

Door Closer - Surface Mounted DC110

Door Closer
DC110

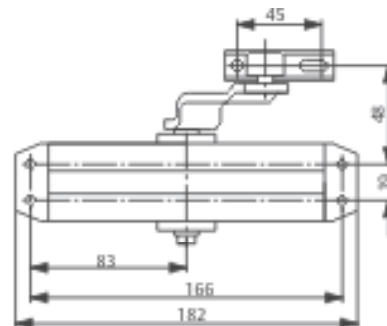
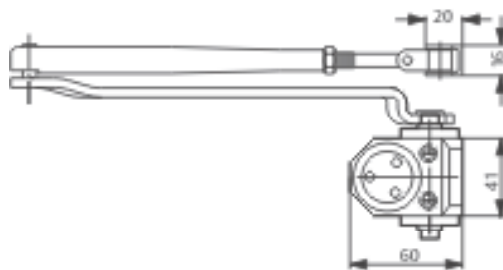
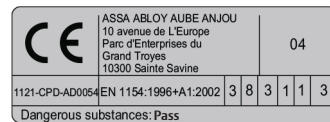
ASSA ABLOY DC110:

- Rack and pinion door closer with link arm
- In compliance with EN1154, size EN3
- For single action doors up to 950mm



Characteristics of DC110:

- Can be used for left and right-handed doors
- Suitable for fire and smoke protection doors
- Closing and latching speed adjustable via regulating valves
- Thermodynamic valves for consistent performance
- Standard colour: Silver



Door Closer
Technical details
for DC110

Technical details:

Closing force	EN3
Door width up to	950mm
Fire and smoke protection	Yes
Door swing directions	Left / right handed
Closing speed	Variable between 180°-15°
Latching speed	Variable between 15°-0°
Weight	1.5kg
Height	41mm
Depth	60mm
Length	182mm
In compliance with	EN1154
CE marking for building products	Yes

Our service for you:

Here you can see the individual advantages of our door closer models for your respective fields of business.

The advantages at a glance:

Customer segment	Advantages
Project planners	- Compact design - Favourably priced, reliable closer model
Builders	- Quick and easy installation - Suitable for left and right-handed doors - Easy to adjust
Trade	- Inexpensive closer model for standard doors - All inclusive package with door closer and link arm
User	- Largely unaffected by temperature fluctuations due to thermodynamic valves - Back-check feature offers optimum protection for doors and walls

Door Closer

Specifications for DC110

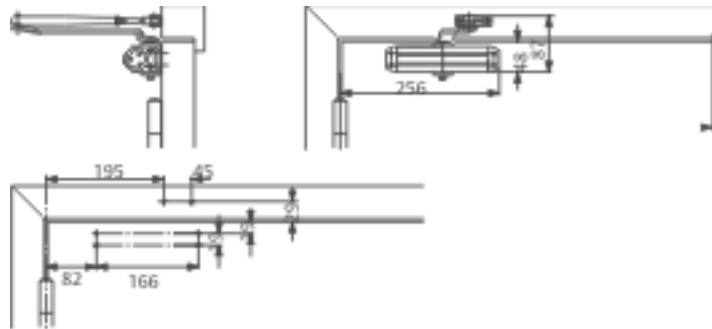
Specifications for DC110:

ASSA ABLOY Door Closer DC110 featuring Rack and pinion technology is in compliance with EN1154.

- Closing force size EN3, for doors up to 950mm wide
- Closing speed and latching speed continuously adjustable
- Suitable for fire and smoke protection doors
- CE approved
- Suitable for left and right-handed doors

Required space on doors:

Left handed shown in diagram, Right handed is the reverse.



Installation dimensions:

Installation dimensions EN3

Colour:

- Silver EV1
- White, similar to RAL9016
- Black, similar to RAL9005

Door Closer - Surface Mounted DC115

ASSA ABLOY

Door Closer

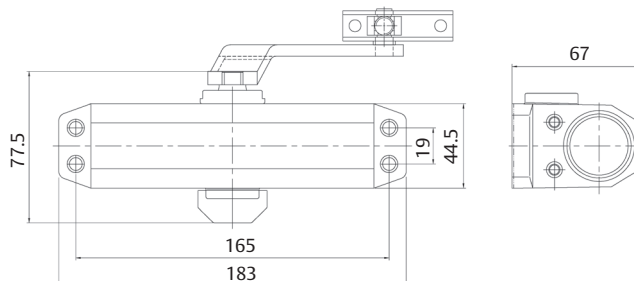
DC115

ASSA ABLOY DC115:

- Rack and pinion door closer with link arm
- In compliance with UL10C, size 2/3/4
- For single action doors up to 1100mm

Characteristics of DC115:

- Can be used for left and right-handed doors
- Suitable for fire and smoke protection doors
- Closing and latching speed adjustable via regulating valves
- Thermodynamic valves for consistent performance
- Standard colour: Silver



Door Closer

Technical details
for DC115

Technical details:

Closing force	Size 2/3/4
Door width up to	850mm - 1100mm
Fire and smoke protection	Yes
Door swing directions	Non-handed
Closing speed	Variable between 180°-15°
Latching speed	Variable between 15°-0°
Backcheck	No
Height	44.5mm
Depth	67mm
Length	183mm
In compliance with	UL10C, up to 3 hours fire rated

All dimensions are in mm

Door Closer - Surface Mounted DC116

Door Closer

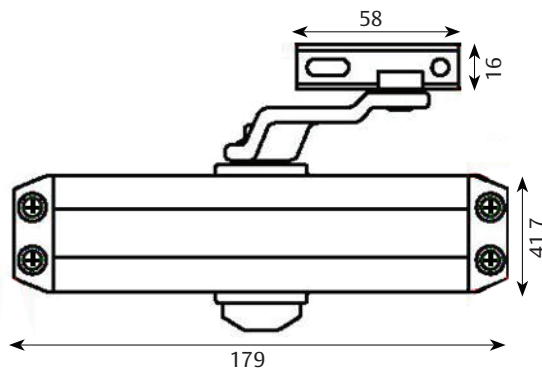
DC116

ASSA ABLOY DC116:

- Rack and pinion door closer
- In compliance with EN1154, size 2/3/4 template adjustable
- In compliance with UL10C
- For single action doors up to 1100mm

Characteristics of DC116:

- Can be used for left and right-handed doors
- Maximum door opening angle 115°
- Closing and latching speed adjustable via regulating valves
- Thermodynamic valves for consistent performance
- Optional back-check unit
- Optional hold-open unit
- Standard colour: Silver



Door Closer

Technical details
for DC116

Technical details:

Closing force	2/3/4 template adjustable
Door width up to	1100mm
Fire and smoke protection	Yes
Door swing directions	Non-handed
Closing speed	Variable between 115°-15°
Latching speed	Variable between 15°-0°
Backcheck	Optional
Height	42mm
Depth	41.7mm
Length	179mm
In compliance with	EN1154

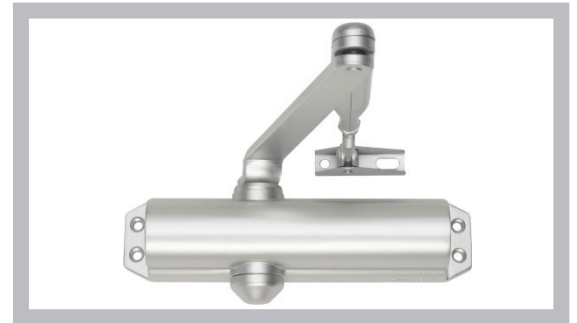
Door Closer - Surface Mounted DC120

Door Closer

DC120

ASSA ABLOY DC120:

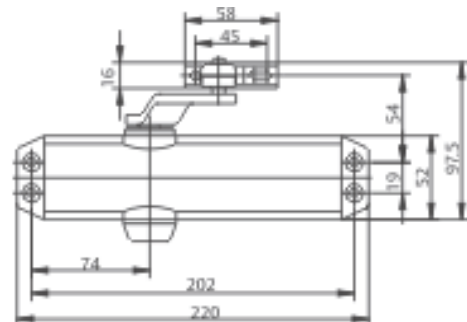
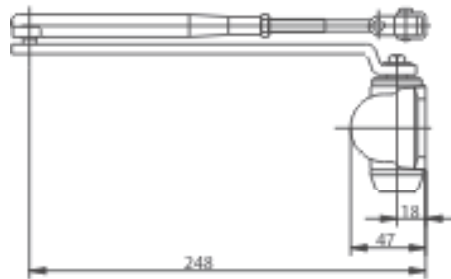
- Rack and pinion door closer with link arm
- In compliance with EN1154, size EN2/3/4
- For single action doors up to 1100mm



Characteristics of DC120:

- Can be used for left and right-handed doors
- Suitable for fire and smoke protection doors
- Closing speed, latching speed and back-check continuously adjustable using regulating valves
- Thermodynamic valves for consistent performance
- Closing force configurable
- Opening angle up to 180° (105° in mounting position size EN4)
- Standard colour: Silver

CE	ASSA ABLOY	11
	Sicherheitstechnik GmbH Bildstockstraße 20 72458 Albstadt	
1162-CPD-0535	EN 1154:1996+A1:2002 TAC:2006	4 8 2/3/4 1 1 4
Dangerous substances: None		



Door Closer

Technical details
for DC120

Technical details:

Closing force	EN2/3/4
Door width up to	1100mm
Fire and smoke protection	Yes
Door swing directions	Left / right handed
Closing speed	Variable between 180°-15°
Latching speed	Variable between 15°-0°
Back-check	Variable above 75°
Weight	1.6kg
Height	52mm
Depth	47mm
Length	220mm
In compliance with	EN1154
CE marking for building products	Yes

Our service for you:

Here you can see the individual advantages of our door closer models for your respective fields of business.

The advantages at a glance:

Customer segment	Advantages
Project planners	- Compact design - Favourably priced, reliable closer model
Builders	- Quick and easy installation - Suitable for left and right-handed doors - Easy to adjust
Trade	- Inexpensive closer model for standard doors - All inclusive package with door closer and link arm
User	- Largely unaffected by temperature fluctuation due to thermodynamic valves - Back-check feature offers optimum protection for doors and walls

Door Closer Specifications for DC120

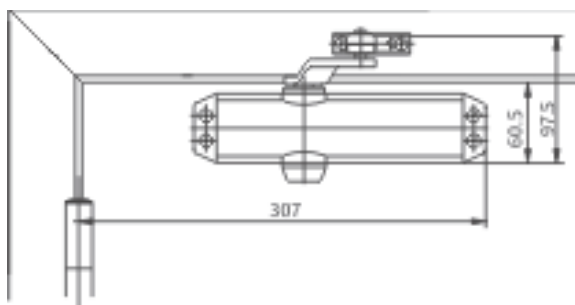
Specifications for DC120:

ASSA ABLOY Door Closer DC120 featuring Rack and pinion technology is in compliance with EN1154.

- Closing force configurable, size EN 2/3/4, for doors up to 1100mm wide
- Closing speed, latching speed and back-check continuously adjustable
- Suitable for fire and smoke protection doors
- CE approved
- Suitable for left and right-handed doors

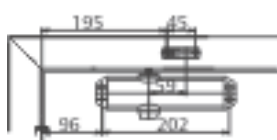
Required space on doors:

Left handed shown in diagram, Right handed is the reverse.

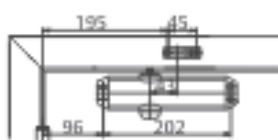


Colour:

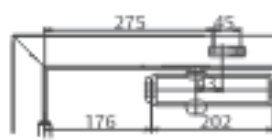
- Silver EV1
- White, similar to RAL9016
- Black, similar to RAL9005



Installation dimensions EN2



Installation dimensions EN3



Installation dimensions EN4

Door Closer - Surface Mounted DC125

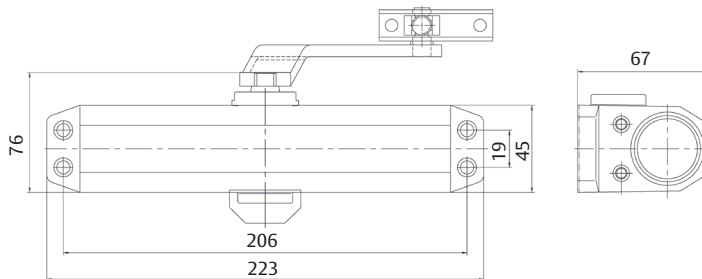
Door Closer
DC125

ASSA ABLOY DC125:

- Rack and pinion door closer with link arm
- In compliance with UL10C, size 4, fixed
- For single action doors up to 1100mm

Characteristics of DC125:

- Can be used for left and right-handed doors
- Suitable for fire and smoke protection doors
- Closing speed, latching speed adjustable using regulating valves
- Thermodynamic valves for consistent performance
- Standard colour: Silver



Door Closer
Technical details
for DC125

Technical details:

Closing force	Size 4, fixed
Door width up to	1100mm
Fire and smoke protection	Yes
Door swing directions	Non-handed
Closing speed	Variable between 180°-15°
Latching speed	Variable between 15°-0°
Back-check	No
Height	45mm
Depth	67mm
Length	223mm
In compliance with	UL10C, up to 3 hours fire rated

Door Closer - Surface Mounted DC135

Door Closer

DC135

ASSA ABLOY DC135:

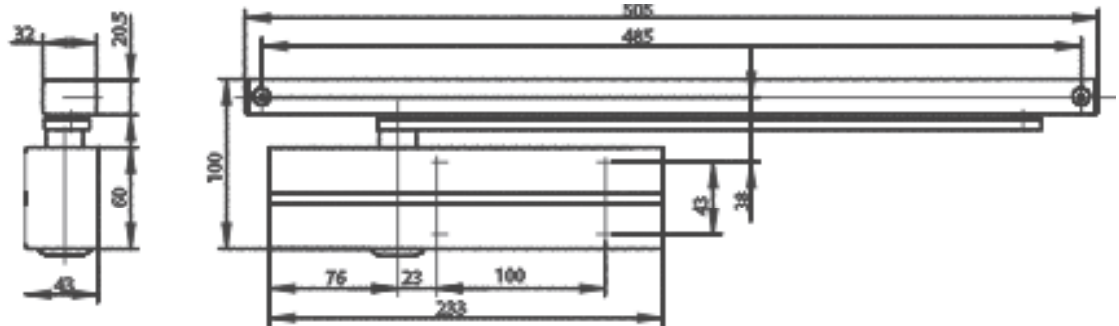
- Rack and pinion door closer with guide rail
- In compliance with EN1154, size EN3
- For single action doors up to 950mm



Characteristics of DC135:

- Can be used for left and right-handed doors
- Opening angle up to 180°
- Closing speed, latching speed and back-check continuously adjustable using regulating valves
- Thermodynamic valves for consistent performance
- Standard colour: Silver

CE	ASSA ABLOY / AUBE ANJOU 10 avenue de L'Europe Parc d'Entreprises du Grand Troyes 11000 Sainte Savine, France	14						
	1121-CPR-AD5182	EN 1154-1:1996+A1:2002/AC:2008	4	8	3	1	1	4
Dangerous substances: Pass								



Door Closer

Technical details for
DC135

Technical details:

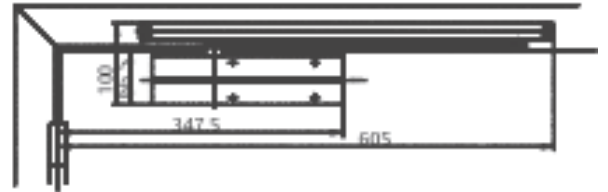
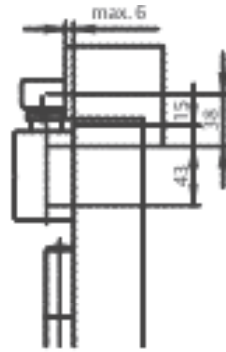
Closing force	EN3
Door width up to	950mm
Fire and smoke protection	Yes
Door swing directions	Left / right handed
Closing speed	Variable between 180°-15°
Latching speed	Variable between 15°-0°
Back-check	Variable above 75°
Height	60mm
Depth	43mm
Length	233mm
In compliance	EN1154
CE marking for building products	Yes

Door Closer

Specifications for DC135

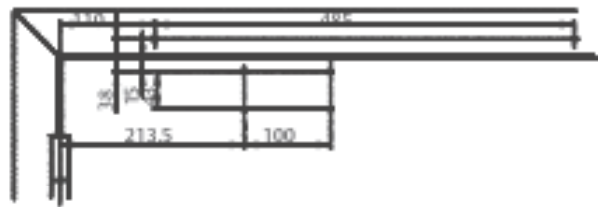
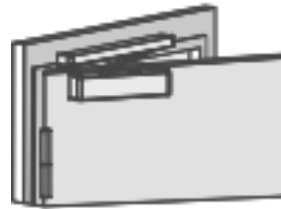
Required space on doors:

Left handed shown in diagram,
Right handed is the reverse.



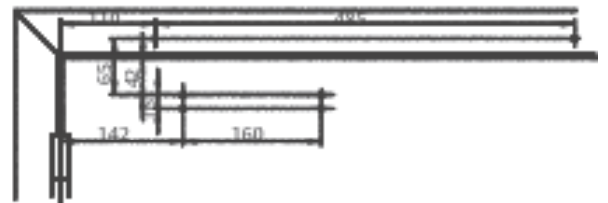
Installation dimensions for direct standard mounting on hinge side:

Left handed shown in diagram,
Right handed is the reverse.



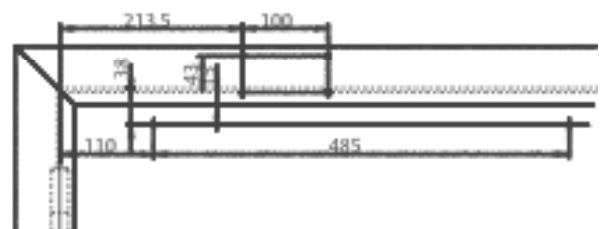
Installation dimensions for direct standard mounting on hinge side:

Left handed shown in diagram,
Right handed is the reverse.



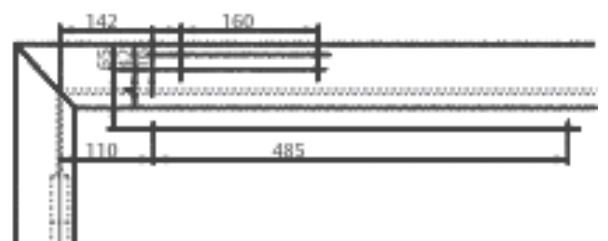
Installation dimensions when mounted directly on to the frame non-hinge side:

Left handed shown in diagram,
Right handed is the reverse.



Installation dimensions with mounting plate for frame mounting non-hinge side:

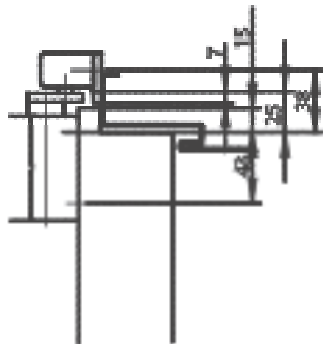
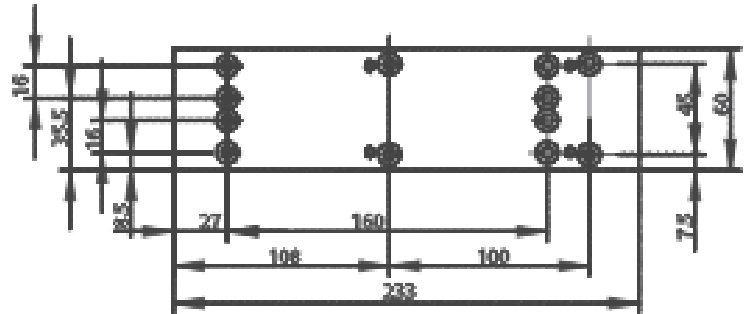
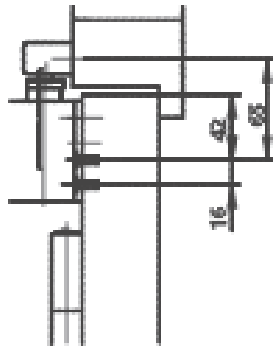
Left handed shown in diagram,
Right handed is the reverse.



Door Closer

Accessories and order placement information for DC135

Mounting Plate A187:



Hold open device A152:

- Mechanical hold-open device for doors which sometimes need to be secured in the open position
- Simple fitting into guide rails
- Hold open angle max. 130°
- Adjustable hold open force
- Not approved for use on fire and smoke protection doors



Opening damper A153:

- Helps to prevent the door and door handle from hitting a return wall
- Simple fitting into guide rail
- Opening damper continuously adjustable up to an opening angle of max. 130°
- Does not replace door stop



Door Closer - Surface Mounted DC200

Door Closer

DC200

ASSA ABLOY DC200:

- Rack and pinion door closer with link arm L190
- In compliance with EN1154, size 2-4
- For single action doors up to 1100mm wide
- Suitable for fire and smoke protection doors



Characteristics of DC200:

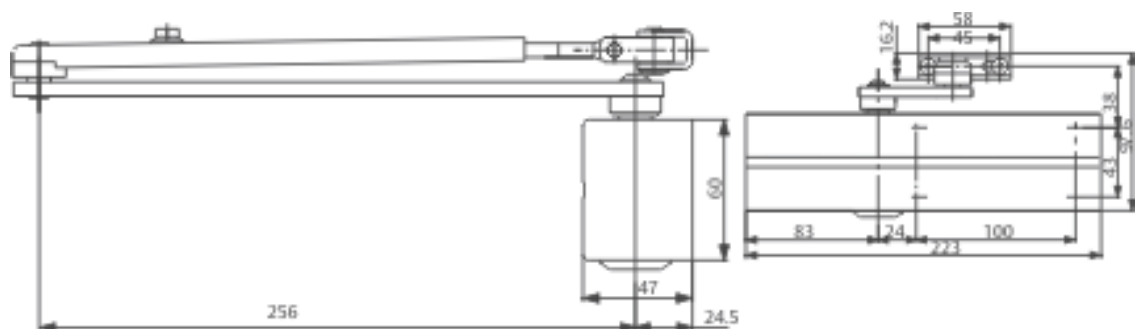
- Can be used with integrated concealed mounting plate, suitable for fire and smoke protection doors
- Can be used for left and right-handed doors
- Link arm height-adjustable up to 14mm
- Closing speed, latching speed and back-check adjustable via front facing regulating valves
- Thermodynamic valves for consistent performance
- Adjustable closing force
- Opening angle up to 180°
- Effective back-check and latching speed range adjustable
- Large range of applications
- Standard colour: Silver
- Customized finishes available on request

CE	ASSA ABLOY Sicherheitstechnik GmbH Bildstockstraße 20 72458 Albstadt		10			
	1162-CPD-0484	EN 1154:1996+A1:2002	4	8	4 2	1 1 4
Dangerous substances: None						



Characteristics for hold open link arm L191:

- Hold-open angle adjustable up to 150°
- Hold-open mode can be enabled and disabled as required
- Same installation as link arm
- Cannot be used with fire and smoke protection doors



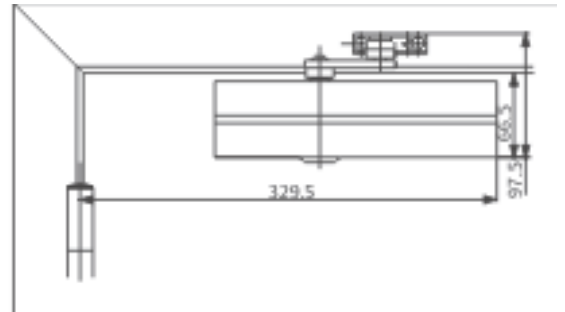
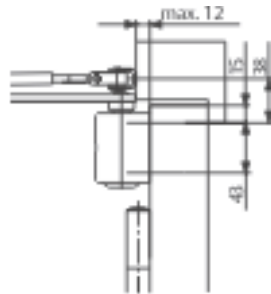
All dimensions are in mm

Door Closer

Dimensional drawings for DC200

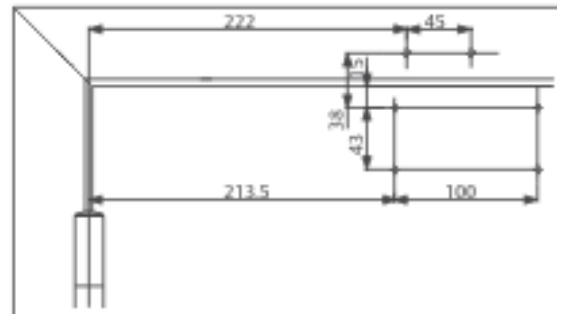
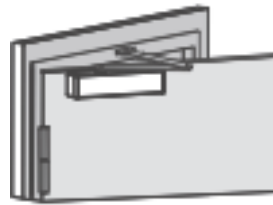
Required space on doors:

Left handed shown in diagram, Right handed is the reverse.



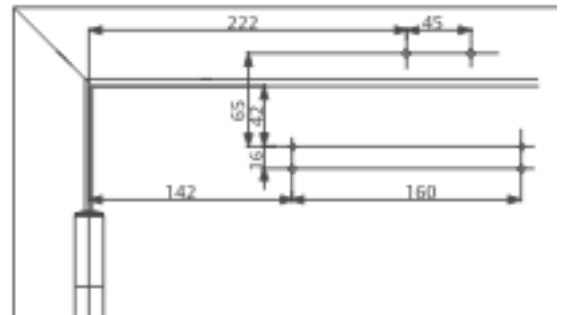
Installation dimensions for direct mounting:

Left handed shown in diagram, Right handed is the reverse.



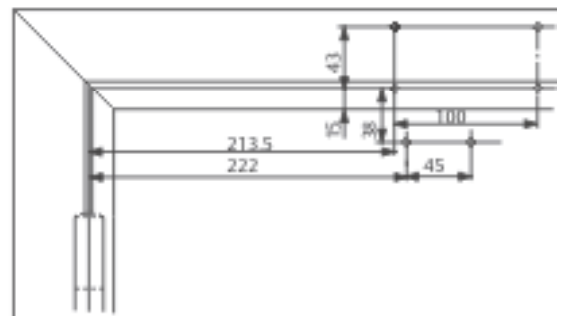
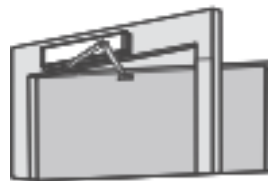
Installation dimensions with mounting plate:

In compliance with EN1154, Supplement 1, or for doors where direct mounting is not possible. Left handed shown in diagram, Right handed is the reverse.



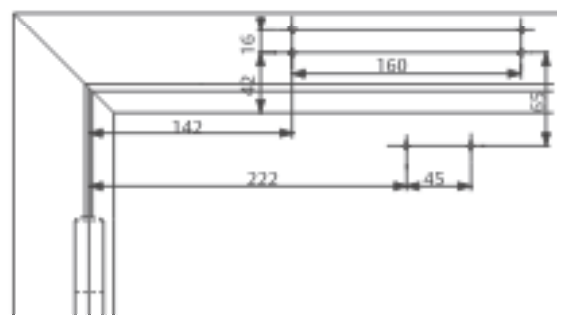
Frame mounting:

Closer on non-hinge side of door frame. Right handed door shown in diagram. Left handed door is the reverse.



Installation dimensions with mounting plate for frame mounting:

Closer on non-hinge side of door frame. For doors where direct mounting is not possible. Right handed door shown in diagram. Left handed door is the reverse.

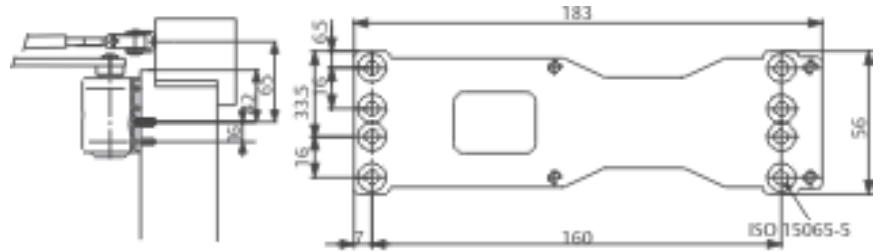


Door Closer

Accessories for DC200

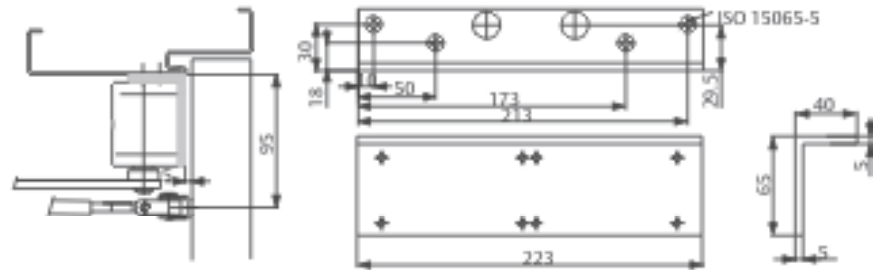
Mounting plate A120:

For mounting with drilling template according to EN1154 Supplement 1 (fire and smoke protection doors) and for universal use.



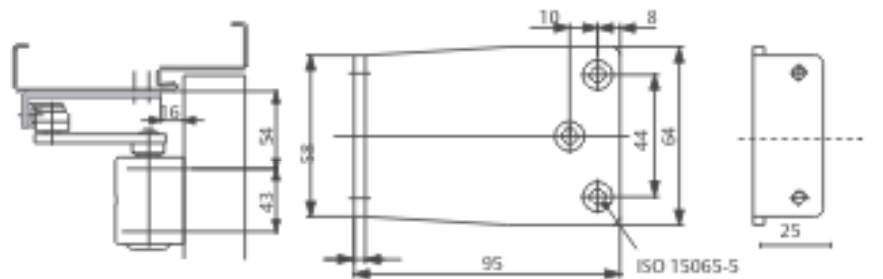
Angle bracket A122:

For frame mounting in case of deep jamb, headroom reduced by 70mm. Check suitability for use on fire and smoke protection doors.



Parallel arm bracket A154:

For frame mounting in case of deep jamb, headroom reduced by 70mm. Check suitability for use on fire and smoke protection doors.



Door Closer - Surface Mounted DC300

Door Closer

DC300

ASSA ABLOY DC300:

- Rack and pinion door closer with link arm L190
- In compliance with EN1154, size EN3-6
- For single action doors up to 1400mm wide
- Suitable for fire and smoke protection doors



Characteristics of DC300:

- Can be used with integrated concealed mounting plate, suitable for fire and smoke protection doors
- Can be used for left and right-handed doors
- Link arm height-adjustable up to 14mm
- Closing speed, latching speed and back-check adjustable via front facing regulating valves
- Thermodynamic valves for consistent performance
- Adjustable closing force
- Opening angle up to 180°
- Effective back-check and latching speed range adjustable
- Large range of applications
- Standard colour: Silver
- Customized finishes available on request

CE	ASSA ABLOY Sicherheitstechnik GmbH Bildstockstraße 20 72458 Albstadt	10			
	1162-CPD-0485 EN 1154:1996+A1:2002	4	8	6 3	1 1 4
Dangerous substances: None					

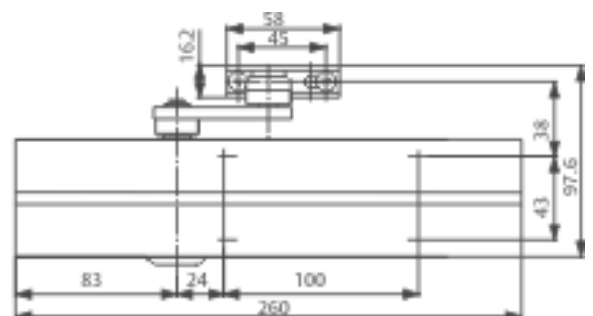
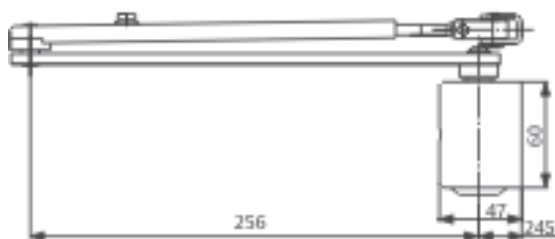


Characteristics for hold open link arm L191:

- Hold-open angle adjustable up to 150°
- Hold-open mode can be enabled and disabled as required
- Same installation as link arm
- Cannot be used with fire and smoke protection doors

Characteristics for special model DC300DA:

- Delayed closing adjustable from front
- Other features as in Model DC300



All dimensions are in mm

Our service for you:

Here you can see the individual advantages of our door closer models for your respective fields of business.

Technical details:

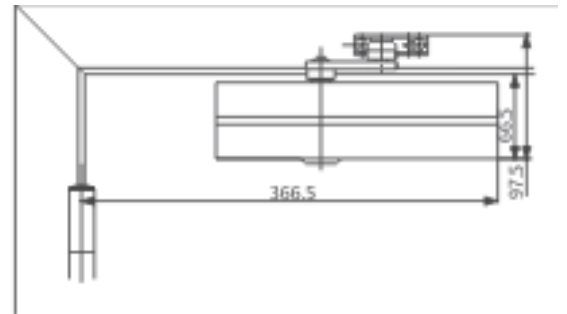
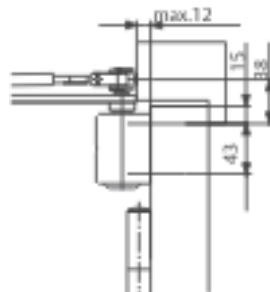
Closing force	Size EN3-6
Door width up to	1400mm
Fire and smoke protection	Yes
Door swing directions	Left / right handed
Closing speed	Variable between 180°-15°
Latching speed	Variable between 15°-0°
Back-check	Variable above 75°
Delayed closing (DC300DA)	Yes
Hold-open mode (with hold-open link arm L191)	Adjustable 75°-150°, can be enabled and disabled
Height	60mm
Depth	47mm
Length	260mm
In compliance with	EN1154
CE marking for building products	Yes

Door Closer

Dimensional drawings for DC300

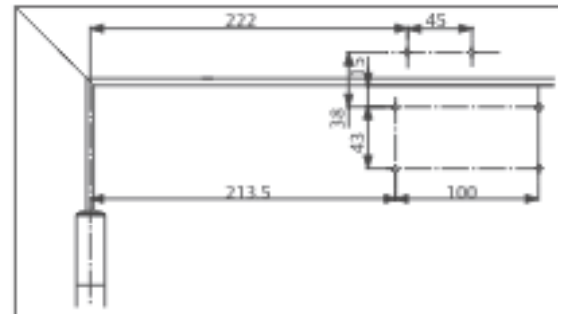
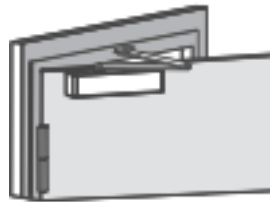
Required space on doors:

Left handed shown in diagram, Right handed is the reverse.



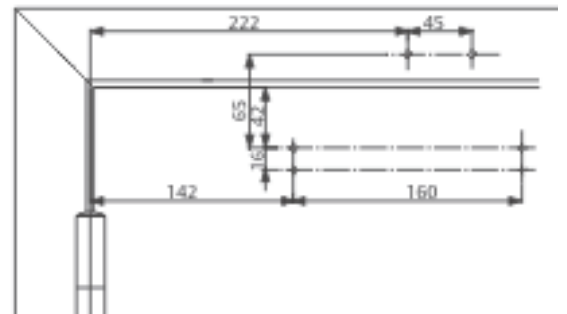
Installation dimensions for direct mounting:

Left handed shown in diagram, Right handed is the reverse.



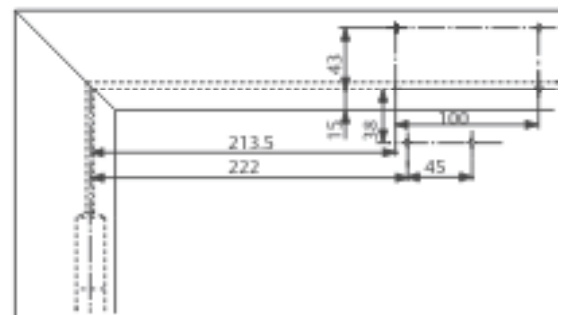
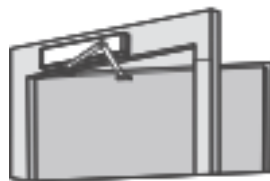
Installation dimensions with mounting plate:

In compliance with EN1154, Supplement 1, or for doors where direct mounting is not possible. Left handed shown in diagram, Right handed is the reverse.



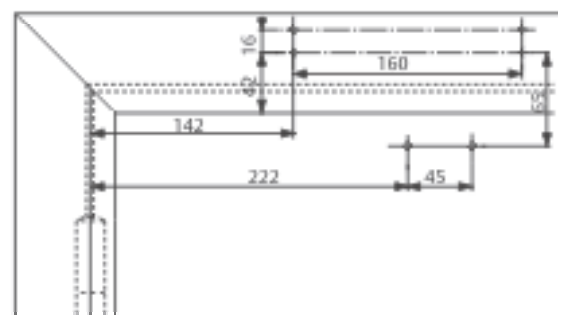
Frame mounting:

Closer on non-hinge side of door frame right handed door shown in diagram, Left handed door is the reverse.



Installation dimensions with mounting plate for frame mounting:

Closer on non-hinge side of door frame. For doors where direct mounting is not possible. Right-handed door shown in diagram. Left-handed door is the reverse.

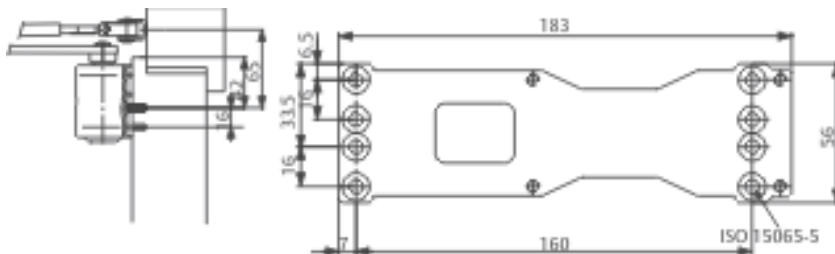


Door Closer

Accessories for DC300

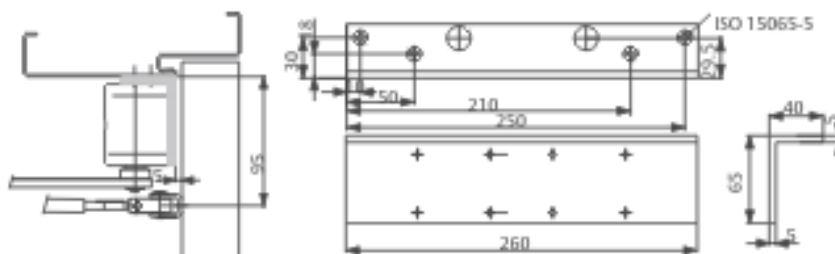
Mounting plate A120:

For mounting with drilling template according to EN1154 Supplement 1 (fire and smoke protection doors) and for universal use.



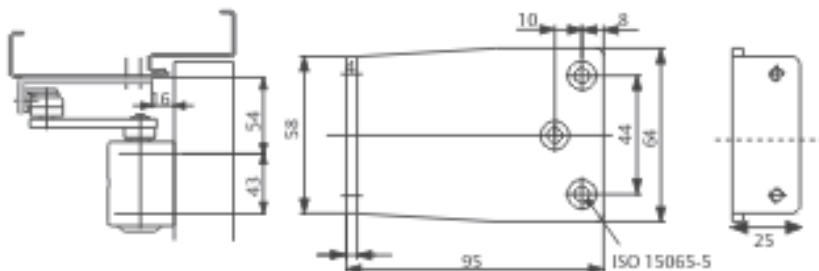
Angle bracket A123:

For frame mounting in case of deep jamb, headroom reduced by 70 mm. Check suitability for use on fire and smoke protection doors.



Parallel arm bracket A154:

For parallel arm installation. Check suitability for use on fire and smoke protection doors.



Door Closer - Surface Mounted DC300 Tandem

ASSA ABLOY

Door Closer

DC300 Tandem

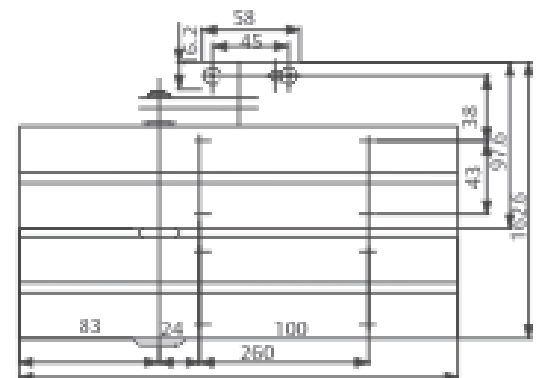
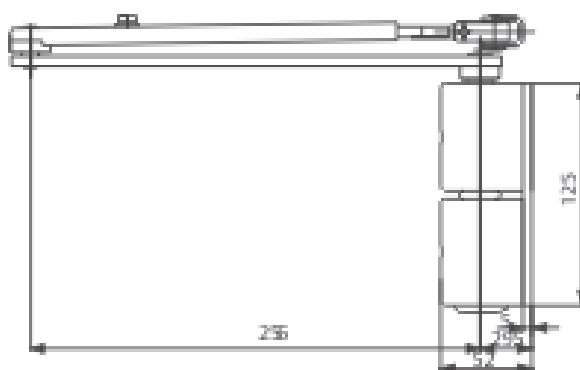
ASSA ABLOY DC300 Tandem:

- Rack and pinion door closer with link arm L190
- Two door closer are interlinked for extra wide and heavy doors
- Double closing torque of DC300, EN size >7
- For single action doors up to 1800mm wide



Characteristics of DC300 Tandem:

- Suitable for fire and smoke protection doors
- Tandem mounting plate A121 generally required
- Can only be used with a link arm
- Can be used for left and right-handed doors
- Link arm height-adjustable up to 14mm
- Closing speed, latching speed and back-check adjustable via front facing regulating valves
- Thermodynamic valves for consistent performance
- Adjustable closing force
- Opening angle up to 180°
- Effective back-check and latching speed range adjustable
- Large range of applications
- Standard colour: Silver



All dimensions are in mm

Door Closer

Technical details for DC300 Tandem

Technical details:

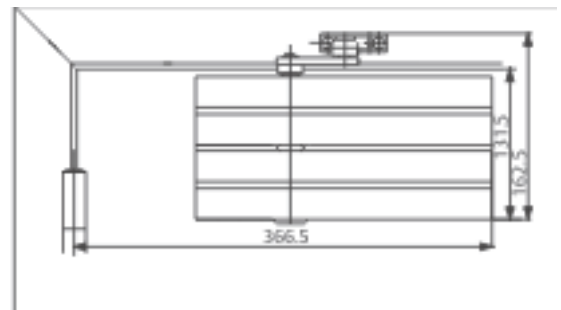
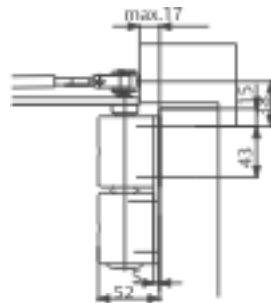
Adjustable closing force	EN >7 (2 x DC300)
Door width up to	1800mm
Door swing directions	Left / right handed
Closing speed	Variable between 180°-15°
Latching speed	Variable between 15°-0°
Back-check	Variable above 75°
Hold-open mode	e.g. for external holding magnet
Height	125 mm
Depth	52 mm
Length	260 mm
In compliance with	EN1154 (DC 300)
CE marking for building products	Yes (DC300)

Door Closer

Dimensional drawings for DC300 Tandem

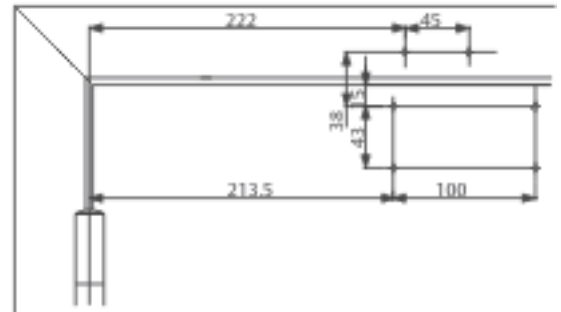
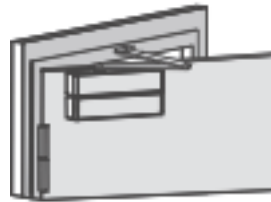
Required space on doors:

Left handed shown in diagram, Right handed is the reverse.



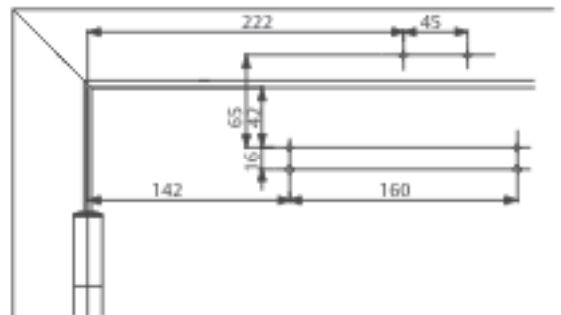
Installation dimensions for direct mounting:

Left handed shown in diagram, Right handed is the reverse.



Installation dimensions with mounting plate:

In compliance with EN1154, Supplement 1, or for doors where direct mounting is not possible. Left handed shown in diagram, Right handed is the reverse.

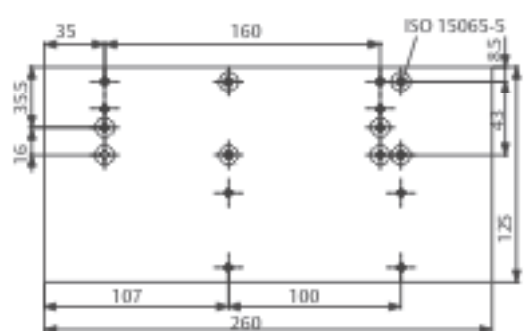
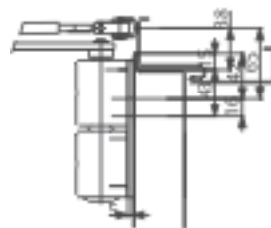


Door Closer

Accessories for DC300 Tandem

Mounting plate A121:

For mounting with drilling template according to EN1154 Supplement 1 (fire and smoke protection doors) and for direct mounting.



Door Closer - Surface Mounted DC500

ASSA ABLOY

Door Closer

DC500 Cam Motion

ASSA ABLOY DC500

- Door closer with Cam Motion technology and height-adjustable guide rail G195 or standard guide rail G193
- Fulfills barrier-free building requirements (DDA/ CEN TR 15894)
- Certified in compliance with EN1154, size EN1-4
- Suitable for fire and smoke protection doors
- For single action doors up to 1100mm wide
- Can be used in four installation types: Hinge and non-hinge side in standard and frame installation



CE	Abloy OY PO Box 108 80101 Joensuu, Finland	10					
	1162-CPD-0464	EN 1154:1996+A1:2002	3	8	4 1	1	1



Characteristics of DC500:

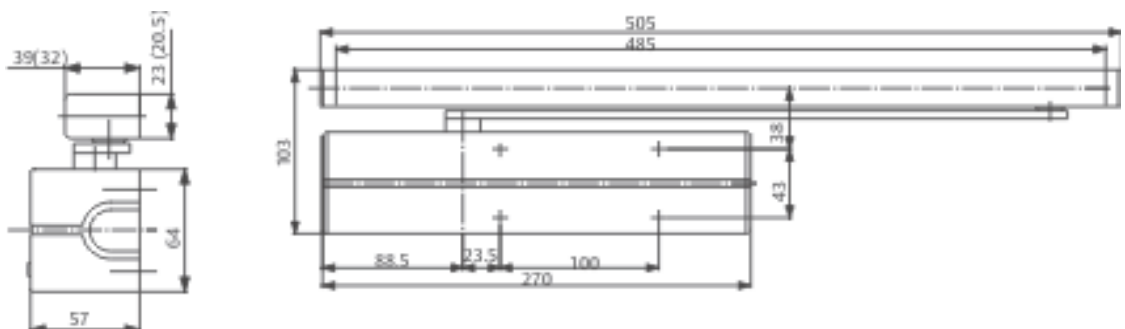
- Can be used with integrated concealed mounting plate, suitable for fire and smoke protection doors
- Can be used for left and right-handed doors
- Axis continuously height adjustable up to 14mm
- Closing speed, latching speed and back-check adjustable via front facing regulating valves
- Thermodynamic valves for consistent performance
- Adjustable closing force
- Opening angle up to 170°
- Effective back-check and latching speed range adjustable
- Large range of applications
- Standard colour: Silver
- Customized finishes available on request

Characteristics for guide rail G195:

- Height-adjustable by 2mm for tolerance
- Concealed fastening screws
- Installation dimensions: see diagram doors

Characteristics of standard guide rail G193:

- Without protective cover
- Visible fastening screws
- Installation dimensions: see diagram (dimensions in brackets)



All dimensions are in mm

Door Closer

Technical details
for DC500

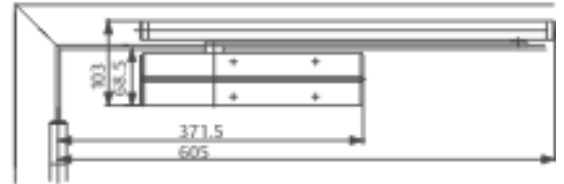
Technical details:

Adjustable closing force	EN1-4
Door width up to	1100mm
Fire and smoke protection	Yes
Door swing directions	Left / right handed
Standard and frame installation	Yes
Closing speed	Variable between 170°-15°
Latching speed	Variable between 15°-0°
Back-check	Variable above 75°
Opening angle hinge side	ca. 170°
Opening angle non-hinge side	ca. 102°
Height	64mm
Depth	57mm
Length	270mm
In compliance with	EN1154
CE marking for building products	Yes

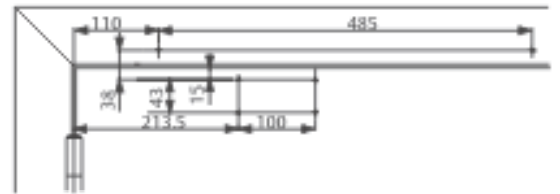
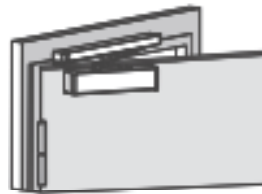
Door Closer

Dimensional drawings for DC500

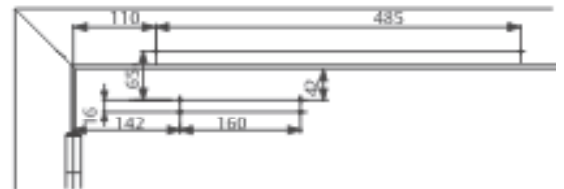
Space required on doors for standard installation on hinge side: Left handed shown in diagram, Right handed is the reverse.



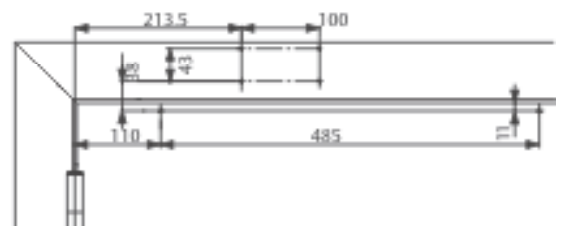
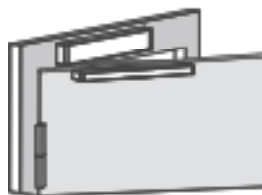
Installation dimensions for direct standard mounting on hinge side: Left handed shown in diagram, Right handed is the reverse.



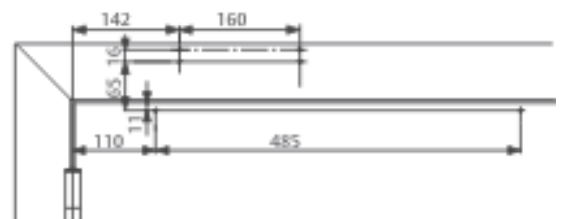
Installation dimensions with mounting plate for standard mounting on hinge side: In compliance with EN1154, supplement 1, or for doors where direct mounting is not possible. Left handed shown in diagram, Right handed is the reverse.



Installation dimensions for direct frame mounting on hinge side: Closer on hinge side of door frame. Left handed shown in diagram, Right handed is the reverse.



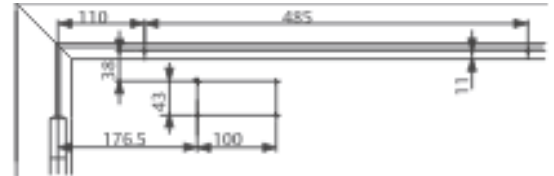
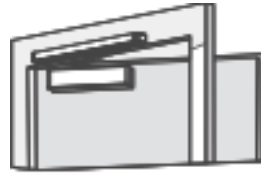
Installation dimensions with mounting plate for frame mounting on hinge side: Closer on hinge side of door frame. For doors where direct mounting is not possible. Left handed shown in diagram, Right handed is the reverse.



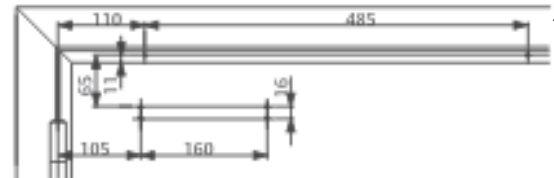
Door Closer

Dimensional drawings for DC500

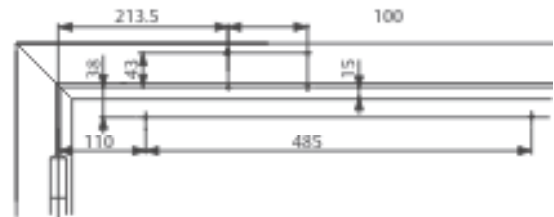
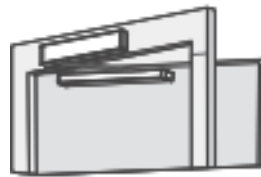
Installation dimensions for direct standard mounting non-hinge side: Right-handed door shown in diagram, Left handed door is the reverse.



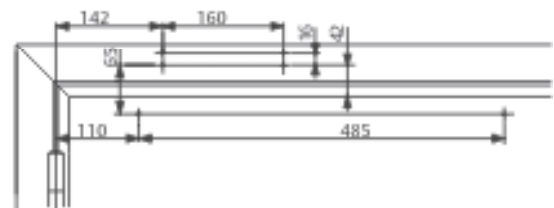
Installation dimensions with mounting plate for standard mounting non-hinge side: For doors where direct mounting is not possible. Right handed door shown in diagram, Left handed door is the reverse.



Installation dimensions when mounted directly on to the frame hinge side: Closer on non-hinge side of door frame. Right handed door shown in diagram, Left handed door is the reverse.



Installation dimensions with mounting plate for frame mounting non-hinge side: Closer on non-hinge side of door frame. For doors where direct mounting is not possible. Right-handed door shown in diagram, Left handed door is the reverse.

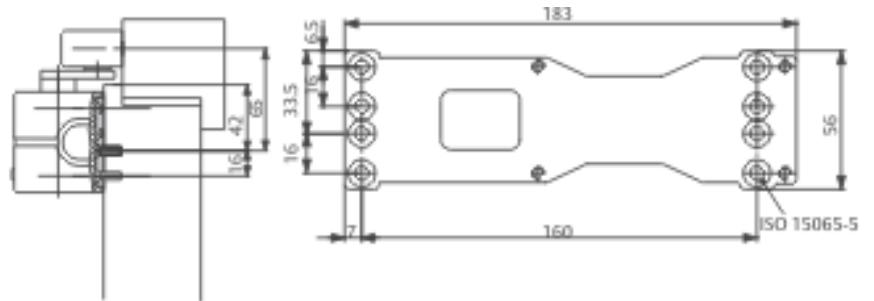


Door Closer

Accessories for DC500

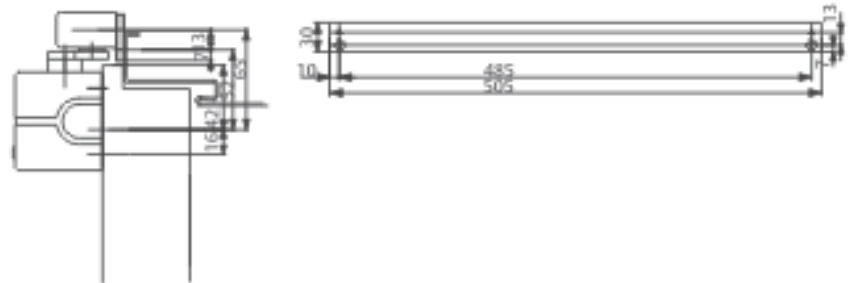
Mounting plate A120:

For mounting with drilling template according to EN1154, Supplement 1 and for universal use



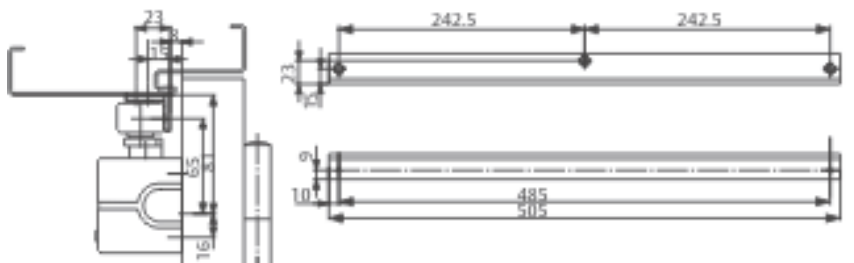
Mounting Plate A130:

For guide rail G193 and G195



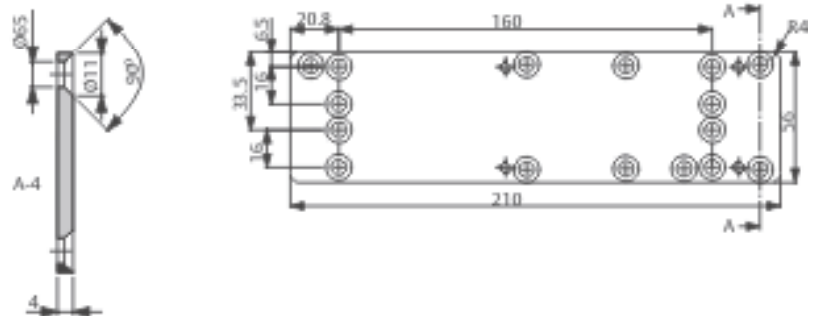
Angle Bracket A104:

Only for standard guide rail G193



Replacement Plate A124:

Replacement plate A124

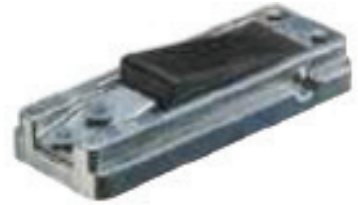


Door Closer

Accessories for DC500

Hold-open device A152:

- Mechanical hold-open device for doors which sometimes need to be secured in the open position
- Simple fitting into guide rail G193 and G195.
- Hold open angle: 130° (max.)
- Adjustable hold-open force
- Not approved for use on fire and smoke protection doors



Opening damper A153:

- Helps to prevent the door and door handle from hitting a return wall
- Simple fitting into guide rail G193 and G195
- Opening damper continuously adjustable up to an opening angle of max. 130°
- Does not replace a door stop



Door Closer - Surface Mounted DC700

ASSA ABLOY

Door Closer

DC700 Cam Motion

ASSA ABLOY DC700

- Door closer with Cam Motion technology and height-adjustable guide rail G195 or standard guide rail G193
- Fulfills barrier-free building requirements (DDA/ CEN TR 15894)
- In compliance with EN1154, size EN3-6
- Suitable for fire and smoke protection doors
- For single action doors up to 1400mm wide
- Can be used in four installation types: Hinge and non-hinge sides in standard and frame installation



CE	Abloy OY PO Box 108 80101 Joensuu, Finland	10					
	1162-CPD-0464	EN 1154:1996+A1:2002	3	8	6 3	1	1



Characteristics of DC700:

- Can be used with integrated concealed mounting plate, suitable for fire and smoke protection doors
- Can be used for left and right-handed doors
- Axis continuously height adjustable up to 14mm
- Closing speed, latching speed and back-check adjustable via front facing regulating valves
- Thermodynamic valves for consistent performance
- Adjustable closing force
- Opening angle up to 170°
- Optional delayed action
- Large range of applications
- Standard colour: Silver
- Customized finishes available on request

Characteristics of standard guide rail G193:

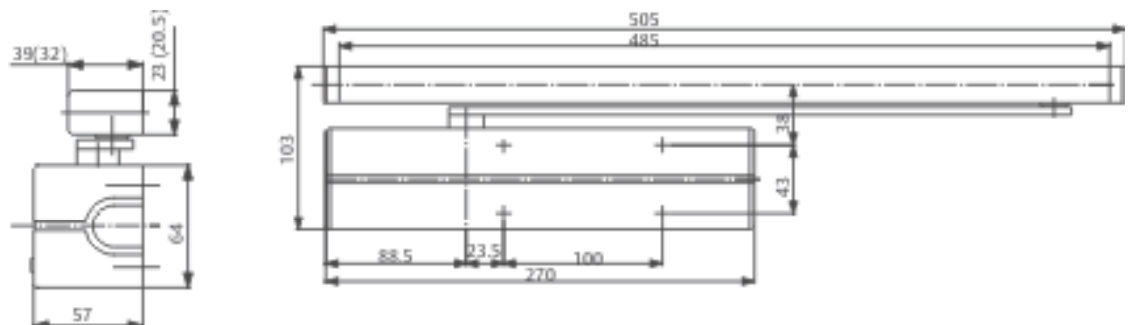
- Without protective cover
- Visible fastening screws
- Installation dimensions: see diagram (dimensions in brackets)

Characteristics for guide rail G195:

- Height-adjustable by 2mm for tolerance
- Concealed fastening screws
- Installation dimensions: see diagram doors

Characteristics of special model DC700AC:

- Opening angle of 180° for standard installation on hinge side
- Other features as in Model DC700



All dimensions are in mm

Door Closer

Technical details
for DC700

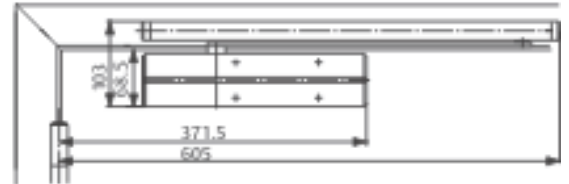
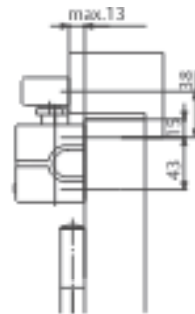
Technical details:

Adjustable closing force	EN3-6
Door width up to	1400mm
Fire and smoke protection	Yes
Door swing directions	Left / right handed
Standard and frame installation	Yes
Closing speed	Variable between 170°-15°
Latching speed	Variable between 15°-0°
Back-check	Variable above 75°
Delayed closing (DC700DA)	Yes
Opening angle hinge side (DC700)	ca. 170°
Opening angle hinge side (DC700 AC)	180°
Opening angle non-hinge side (DC700 AC)	ca. 120°
Height	64mm
Depth	57mm
Length	270 mm
In compliance with	EN1154
CE marking for building products	Yes

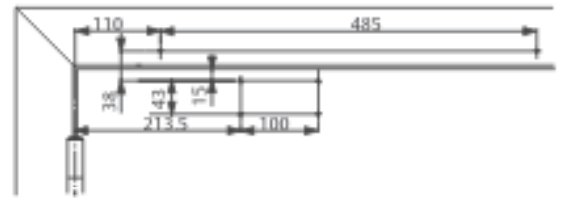
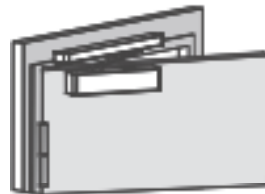
Door Closer

Dimensional drawings for DC700

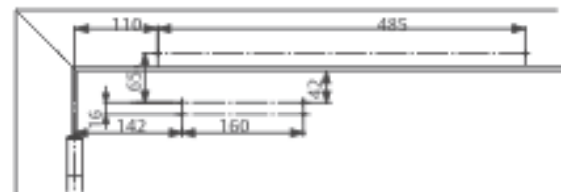
Space required on doors for standard installation on hinge side: Left handed shown in diagram, Right handed is the reverse.



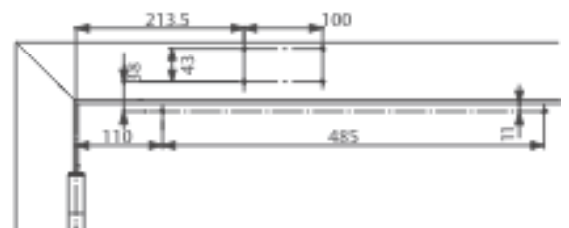
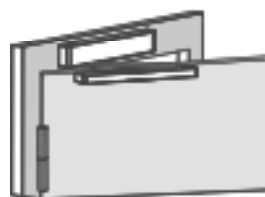
Installation dimensions for direct standard mounting on hinge side: Left handed shown in diagram, Right handed is the reverse.



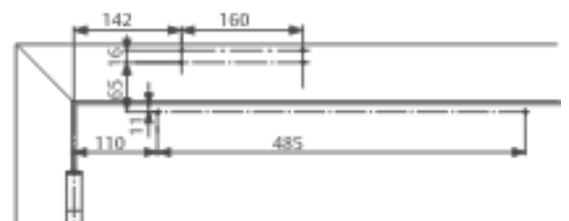
Installation dimensions with mounting plate for standard mounting on hinge side: In compliance with EN 1154, supplement 1, or for doors where direct mounting is not possible. Left handed shown in diagram, Right handed is the reverse.



Installation dimensions for direct frame mounting on hinge side: Closer on hinge side of door frame. Left handed shown in diagram, Right handed is the reverse.



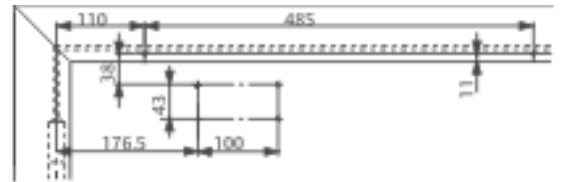
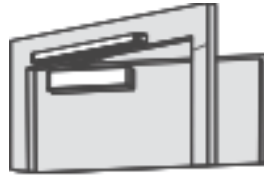
Installation dimensions with mounting plate for frame mounting on hinge side: Closer on hinge side of door frame. For doors where direct mounting is not possible. Left handed shown in diagram, Right handed is the reverse.



Door Closer

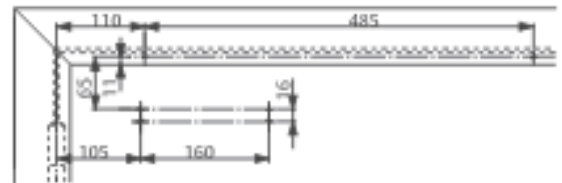
Dimensional drawings for DC700

Installation dimensions for direct standard mounting non-hinge side: Right handed door shown in diagram, Left handed door is the reverse.



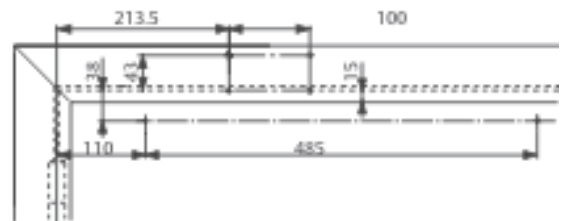
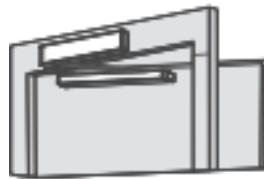
Installation dimensions with mounting plate for standard mounting non-hinge side:

For doors where direct mounting is not possible. Right-handed door shown in diagram, Left handed door is the reverse.



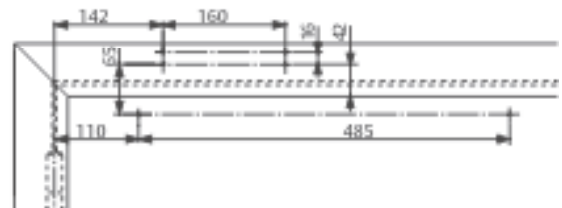
Installation dimensions when mounted directly on to the frame hinge side:

Closer on non-hinge side of door frame
Right-handed door shown in diagram, Left handed door is the reverse.



Installation dimensions with mounting plate for frame mounting non-hinge side:

Closer on non-hinge side of door frame.
For doors where direct mounting is not possible.
Right-handed door shown in diagram, Left handed door is the reverse.

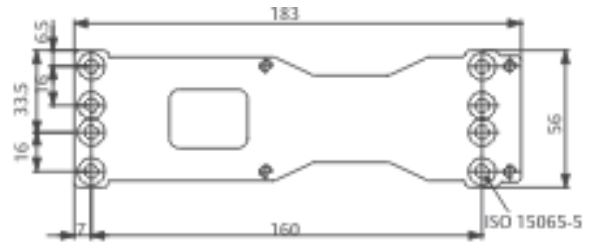
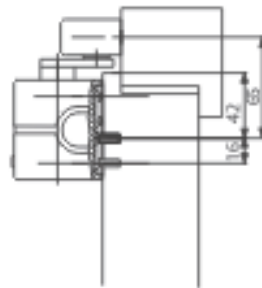


Door Closer

Accessories for DC700

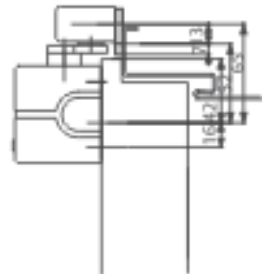
Mounting Plate A120:

For mounting with drilling template according to EN1154 Supplement 1 and for universal use



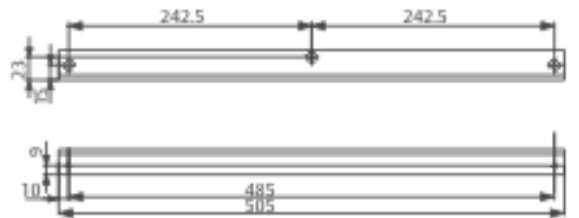
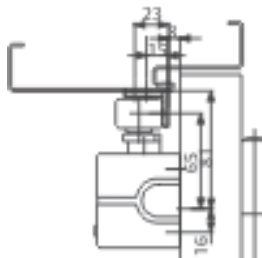
Mounting Plate A130:

For guide rail G193 and G195



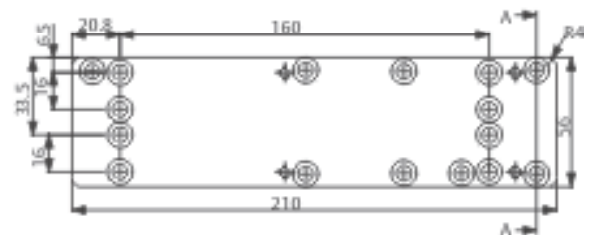
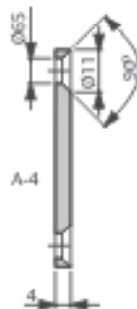
Angle Bracket A104:

Only for standard guide rail G193



Replacement Plate A124:

Replacement Plate A124



Door Closer

Accessories for DC700

Hold-open device A152:

- Mechanical hold-open device for doors which sometimes need to be secured in the open position
- Simple fitting into guide rail G193 and G195
- Hold open angle: 130° (max.)
- Adjustable hold-open force
- Not approved for use on fire and smoke protection doors



Opening damper A153:

- Helps to prevent the door and door handle from hitting a return wall
- Simple fitting into guide rail G193 and G195
- Opening damper continuously adjustable up to an opening angle of max. 130°
- Does not replace a door stop



Door Closer - Surface Mounted DC700G-FT

ASSA ABLOY

Door Closer

DC700G-FT
Cam Motion

ASSA ABLOY DC700G-FT:

- ASSA ABLOY Door Closer with Cam Motion technology, extended mounting plate and integrated latch bolt lock, extended guide rail with integrated escape door strike
- Suitable for retrofitting to fire doors with guide rail door closers and fastening using drilling template according to EN1154, Supplementary Sheet 1:2003-11
- In compliance with EN 1154, size EN3-6
- Escape door strike 332, tested in compliance with the German guidelines for electrical locking systems for doors along escape routes
- For single leaf doors, doors between 850mm - 1200mm wide



CE	Abloy OY PO Box 108 80101 Joensuu, Finland	10					
	1162-CPD-0464	EN 1154:1996+A1:2002	3	8	$\frac{6}{3}$	1	1

ASSA ABLOY DC700G-FT:

- Integrated escape door strike 332 in extended guide rail
- Integrated latch bolt lock 807 on extended mounting plate
- With 4m connecting cable
- Flush or surface installation of wiring possible
- Suitable for fire and smoke protection doors
- Suitable for left and right-handed doors
- Standard installation on hinge side
- Adjustable closing force
- Closing speed, latching speed and back-check continuously adjustable
- Thermodynamic valves for consistent performance
- Door closer axis height continuously adjustable by 14mm
- Standard colour: Silver

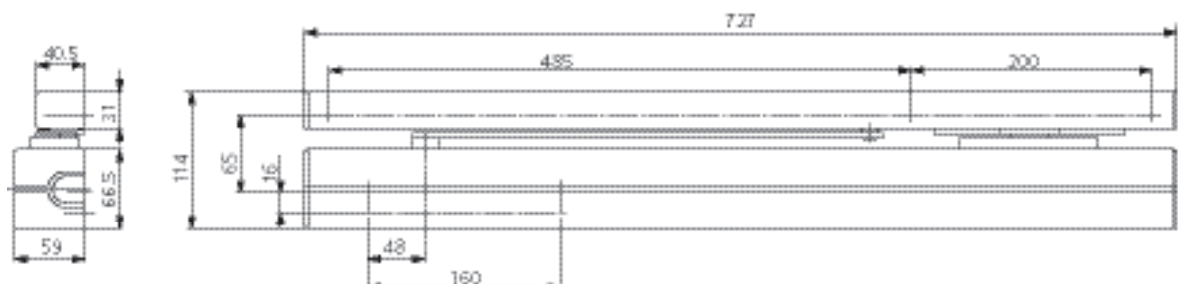


Characteristics of escape door locking system:

- Holding force of 2,000 N
- Latch position continuously adjustable between 12mm and 17mm
- Latch position adjustable horizontally between -3mm and +6mm
- Latch bolt lock can be adjusted vertically in 4mm increments (-4/ 0/ +4/ +8)
- Escape door strike using FaFix®, adjustable by 2mm (0.5 mm increments)

Characteristics of standard guide rail G193:

- Height-adjustable by 2mm for tolerance
- Concealed fastening screws



All dimensions are in mm

Door Closer

**Technical details
for DC700G-FT**

Technical details:

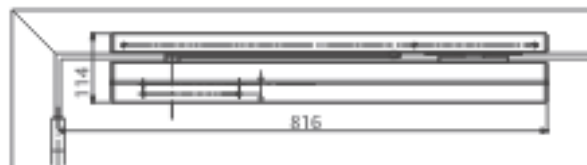
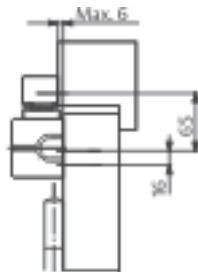
Adjustable closing force	EN 3-6
Door width up to	850mm - 1200mm
Fire and smoke protection	Yes
Door swing directions	Left / right handed
Standard and frame installation	Yes
Closing speed	Variable between 170°-15°
Latching speed	Variable between 15°-0°
Back-check	Variable above 75°
Opening angle hinge side	ca. 170°
In compliance with	EN1154
CE marking for building products	Yes
Mounting plate dimensions	See dimensional drawings
Dimensions of guide rail	See dimensional drawings
Escape door strike:	
Holding force	2000N
Rated voltage	12 V DC / 24 V DC
Rated current	190 mA / 12 V; 95 mA / 24 V
Rated operational voltage tolerance	+/- 10 %
Operating temperature range	-15 °C to +40 °C
Switching capacity - monitoring contact	24V, 1 A
Armature contact not potential-free	Yes
Free wheeling diode	Yes
In compliance with	EltVTR
Approved system in compliance with EltVTR	Escape route controller

Door Closer

Dimensional drawings for DC700G-FT

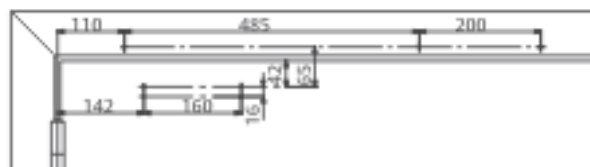
Space required on doors for standard mounting on hinge side

Left handed shown in diagram, Right handed is the reverse.



Installation dimensions in compliance with EN 1154 Supplementary Sheet 1; standard hinge-side mounting

Left handed shown in diagram, Right handed is the reverse.



Notice:

The positions of the locking components on the guide rail and mounting plate are designed in such a way that escape door strikes and latch bolt are correctly aligned when installed in a flush position (flush-fitted doors). Adjustment option on electric strike (FaFix®) of +/- 1 mm and latch bolt lock of +6/-3 mm mean that smaller differences in measurements can be compensated for.

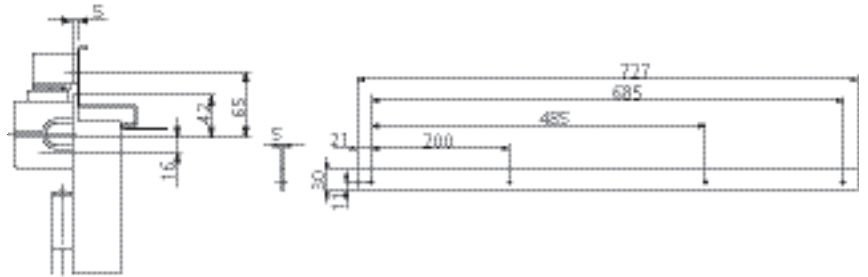
In case of doors with an overlapping door leaf (narrow or wide rebate), the following spacer plates must be used to ensure that the guide rail and mounting plate are in a flush position when on top of one another.

Door Closer

Accessories for DC700G-FT

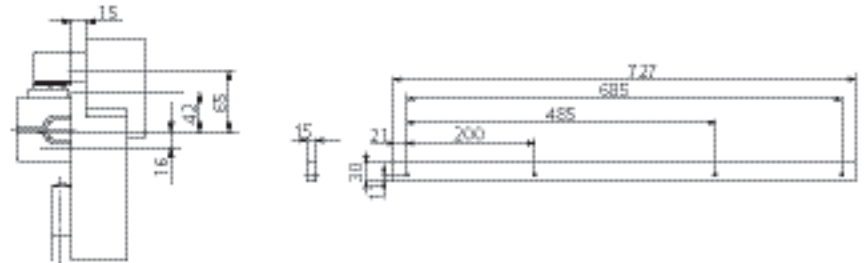
Spacer Plate DCFA01:

For shimming guide rails over ASSA ABLOY drilling pattern. For use on narrow-rebate doors with a max. door leaf overlap of 8mm.



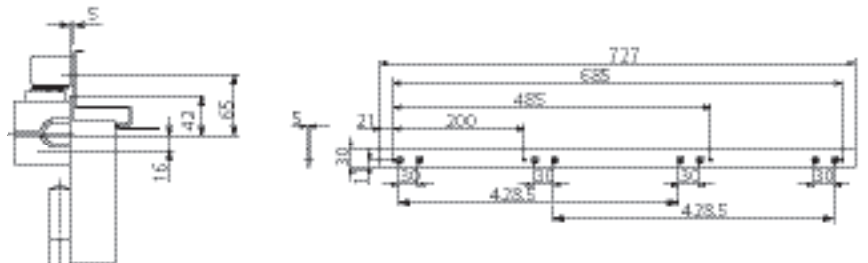
Spacer Plate DCFA02:

For shimming guide rails over ASSA ABLOY drilling pattern. For use on narrow-rebate doors with a max. door leaf overlap of 18mm.



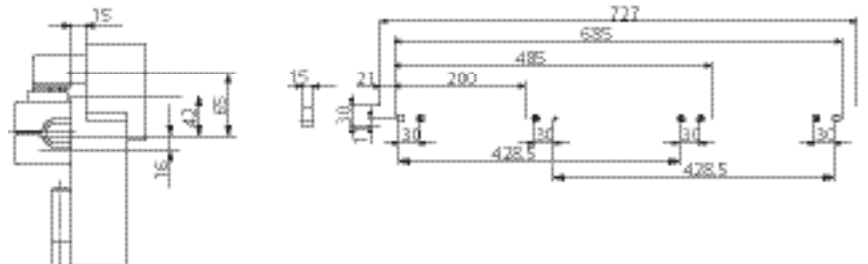
Replacement Plate DCFA03:

For mounting guide rail over existing drill holes from other manufacturers, for flush-fit doors and narrow rebate doors with door leaf overlap up to 8mm.



Replacement Plate DCFA04:

For mounting guide rail over existing drill holes from other manufacturers. For flush-fit doors and narrow rebate doors with door leaf overlap up to 18mm.

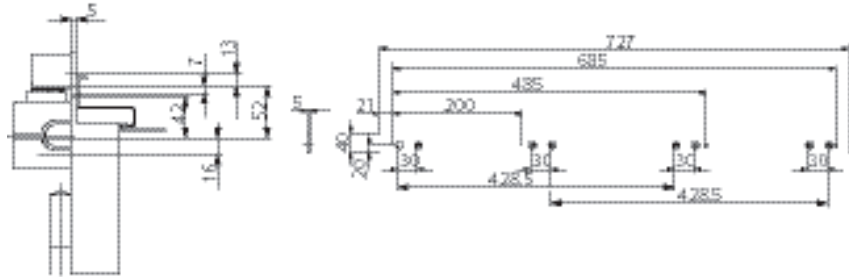


Door Closer

Accessories for DC700G-FT

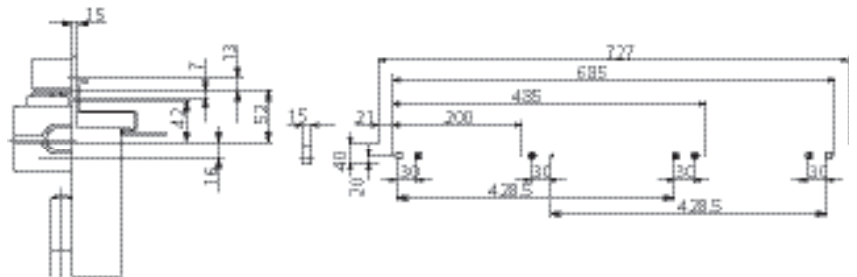
Spacer Plate DCFA05:

Mounting plate for narrow frames. For mounting over ASSA ABLOY drilling pattern and over existing drill holes from other manufacturers when the guide rail is replaced. For use on wide-rebate doors with a max. door leaf overlap of 8mm.



Spacer Plate DCFA06:

Mounting plate for narrow frames. For mounting over ASSA ABLOY drilling pattern and over existing drill holes from other manufacturers when the guide rail is replaced. For use on wide-rebate doors with a max. door leaf overlap of 18mm.



Door Closer - Concealed DC703

ASSA ABLOY

Door Closer

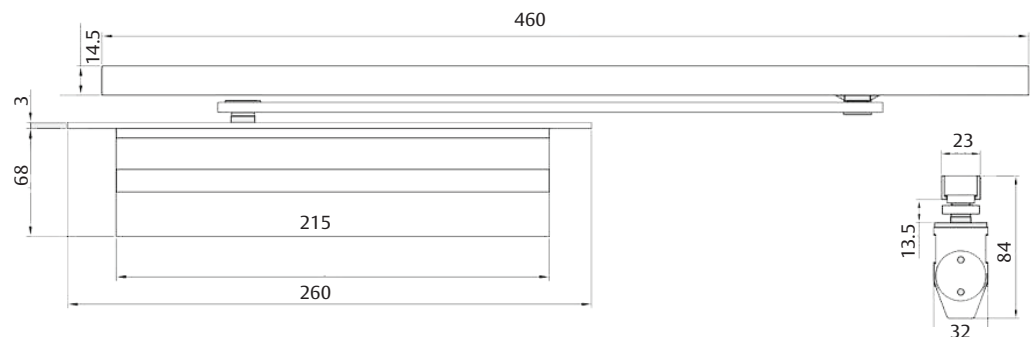
DC703

ASSA ABLOY DC703:

- Concealed door closer with rack and pinion technology
- CE certified with EN1154, size EN3 and EN1634
- For single action doors up to 950mm
- Opening angle up to 120°

Characteristics of DC703:

- Single action, with easy installation (Non-directional body to avoid any installation and adjustment mistakes)
- Suitable for wooden, metal and narrow profile aluminium door
- Powder-Coated finish, provide better reliability and better appearance
- Suitable for interior and external door application
- Optional 90° HO
- Standard colour: Silver



Door Closer

Technical details
for DC703

Technical details:

Closing force	Size EN3
Door width up to	950mm
Fire and smoke protection	Yes
Door swing directions	Non-handed
Closing speed	Variable between 120°-15°
Latching speed	Variable between 15°-0°
Opening Angle	120°
Height	54mm
Depth	32mm
Length	215mm
In compliance with	EN1154 & EN1634

All dimensions are in mm

Door Closer

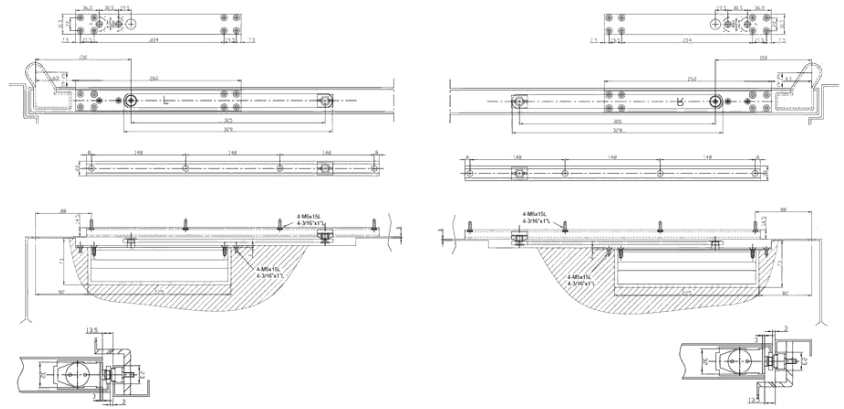
Dimensional drawings for DC703

Required space on doors:

Left handed shown in diagram,
Right handed is the reverse.

Installation dimensions:

Installation dimensions
EN3



Door Closer - Concealed DC800

Door Closer

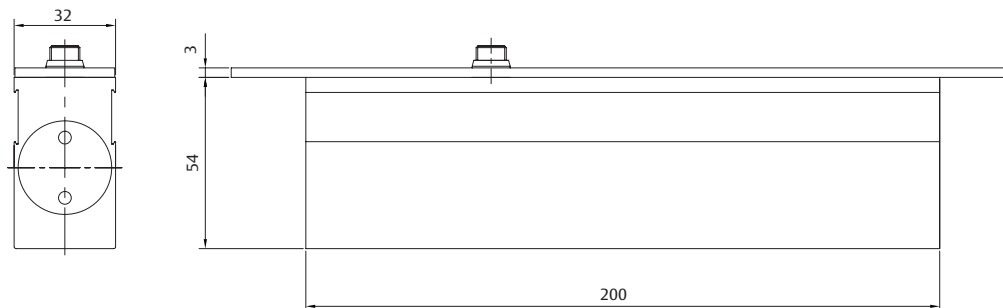
DC800

ASSA ABLOY DC800:

- Concealed door closer with cam-motion technology
- In compliance with EN1154, size 3 and 4
- For single action doors up to 1100mm
- Compact design and slide channel

Characteristics of DC800:

- Can be used for left and right-handed doors
- Maximum door opening angle 115°
- Closing and latching speed adjustable via regulating valves
- Thermodynamic valves for consistent performance
- Optional hold-open unit
- Standard colour: Silver



Door Closer

Technical details for DC800

Technical details:

	Size 3 (DC803)	Size 4 (DC804)
Closing force		
Door width up to	950mm	1100mm
Fire and smoke protection	Yes	No
Door swing directions	Non-handed	
Closing speed	Variable between 115°-15°	
Latching speed	Variable between 15°-0°	
Backcheck	No	
Height	54mm	
Depth	32mm	
Length	200mm	
In compliance with	EN 1154	

Note: For size 3, please order DC803
size 4, please order DC804

Door Closer - Concealed DC901

Door Closer

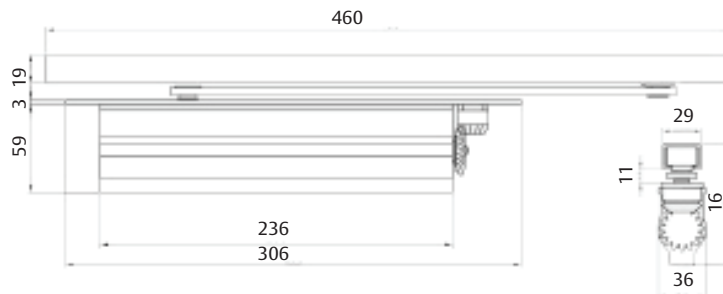
DC901

ASSA ABLOY DC901:

- Concealed door closer with cam-motion technology
- Compact design and light weight for easy installation
- CE certified with EN1154, size EN2-4 and EN1634
- For single action doors up to 1100mm
- Opening angle up to 120°

Characteristics of DC901:

- Optional back-check and delayed action functions
- Powder-Coated finish, provide better reliability and better appearance
- Suitable for interior and exterior door application
- Power adjustable EN 2-4
- Optional 90° HO
- Standard colour: Silver



Door Closer

Technical details for DC901

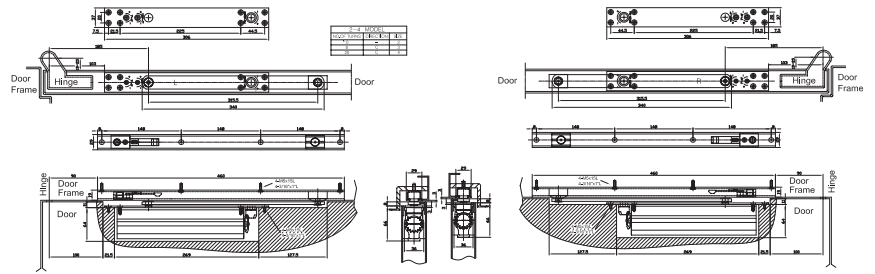
Technical details:

Closing force	Size EN2-4
Door width up to	1100mm
Fire and smoke protection	Yes
Door swing directions	Non-handed
Closing speed	Variable between 120°-15°
Latching speed	Variable between 15°-0°
Opening Angle	120°
Height	59mm
Depth	36mm
Length	236mm
In compliance with	EN1154 & EN1634

Door Closer

Dimensional drawings for DC901

Required space on doors:
 Left handed shown in diagram,
 Right handed is the reverse.



Installation dimensions:
 Installation dimensions
 EN3

Door Closer - Concealed DC860

Door Closer

DC860 Cam Motion

ASSA ABLOY DC860

- Concealed door closer with cam-motion technology and small standard concealed guide rail G892 or standard concealed guide rail G893
- Fulfils barrier-free building requirements (DDA/ CEN TR 15894)
- Certified in compliance with EN1154, size EN1-5
- Suitable for fire and smoke protection doors
- For single action doors up to 1250mm wide



CE	Abloy Oy PO Box 108 80101 Joensuu, Finland		11				
	0432-CPD-0047	EN1154:1996+A1:2002	3	8	5 1	1	1



Characteristics of DC860:

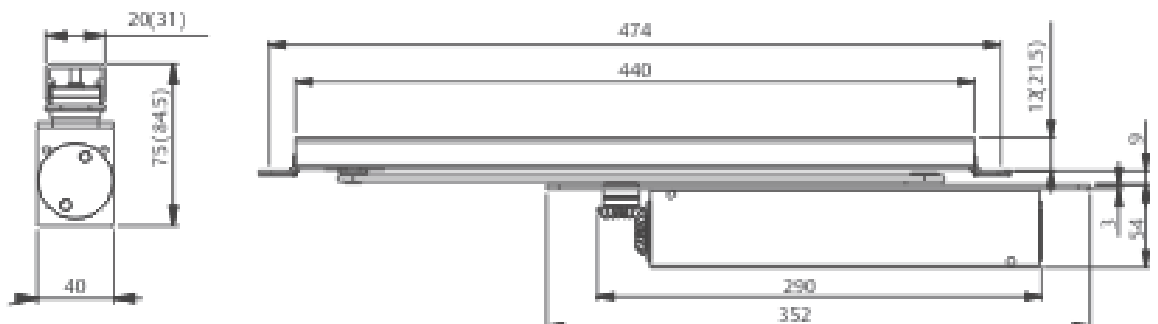
- Can be used for left and right-handed doors
- Closing speed, latching speed and back-check adjustable via front facing regulating valves
- Built-in back-check
- Thermodynamic valves for consistent performance.
- Opening angle up to 120°
- Large range of applications
- Versions with 4mm and 8mm spindle extensions
- Standard colour: Silver
- Customized finishes available on request

Characteristics of standard guide rail G892:

- Small size guide rail
- For standard applications
- Available with mechanical hold-open device or opening damper
- Installation dimensions: see diagram

Characteristics for guide rail G893:

- Guide rail suitable for equipping with hold-open device and back-check
- Installation dimensions: see diagram (dimensions in brackets)



All dimensions are in mm

Door Closer

Technical details
for DC860

Technical details:

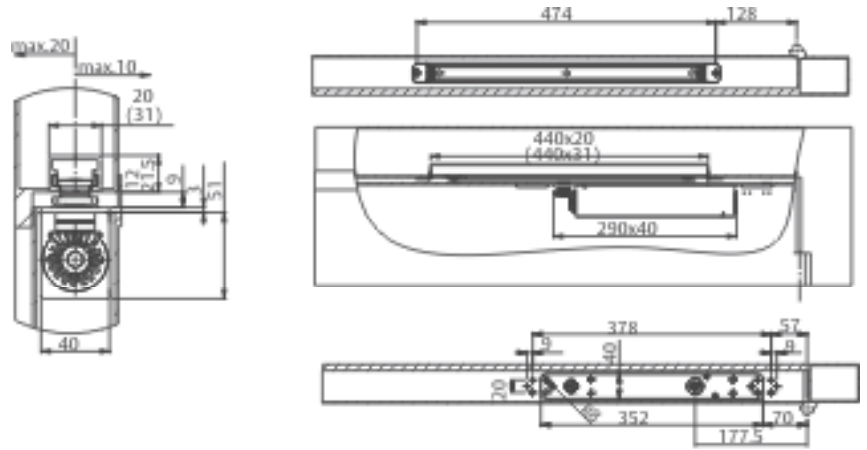
Adjustable closing force	EN1-5
Door width up to	1250mm
Fire and smoke protection	Yes
Door swing directions	Left / right handed
Standard and frame installation	Yes
Closing speed	Variable between 120°-7°
Latching speed	Variable between 7°-0°
Opening angle	ca. 120°
Height	54mm
Depth	40mm
Length	290 mm
In compliance with	EN1154
CE marking for building products	Yes

Door Closer

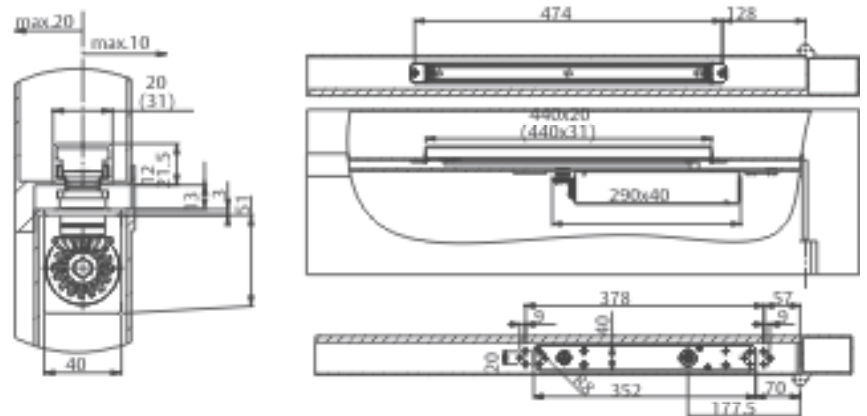
Dimensional drawings for DC860

Installation dimensions for direct standard mounting on hinge side:

Right-handed door shown in diagram, Left handed door is the reverse.

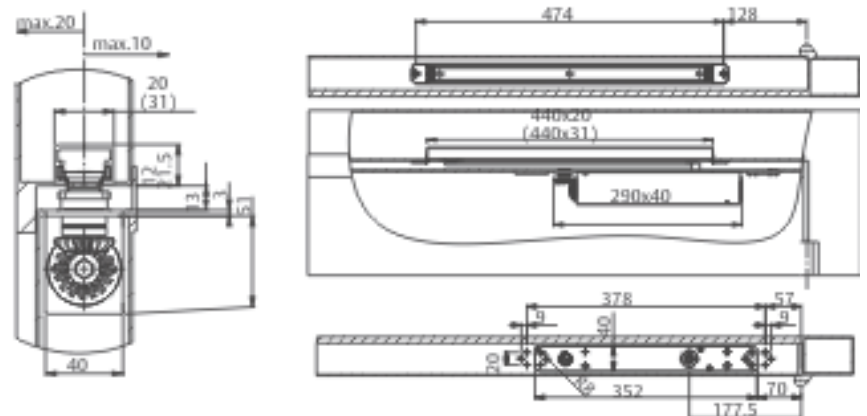


Right-handed door shown in diagram, Left handed door is the reverse.



Installation dimensions with 8mm axis extension:

Right-handed door shown in diagram, Left handed door is the reverse.



Door Closer

Accessories for DC860

Hold-open device A152:

- Mechanical hold-open device for doors which sometimes need to be secured in the open position
- Simple fitting into guide rail G193 and G195
- Hold open angle max. 130°
- Adjustable hold-open force
- Not approved for use on fire and smoke protection doors



Hold-open device A156:

- For guide rail G892

Opening damper A153:

- Helps to prevent the door and door handle from hitting a return wall
- Simple fitting into guide rail G893, does not replace a door stop
- Adjustable up to an opening angle of 120°



Opening damper A157:

- Helps to prevent the door and door handle from hitting a return wall
- Simple fitting into guide rail G892, does not replace a door stop
- Adjustable up to an opening angle of 120°

Fixing plate A162:

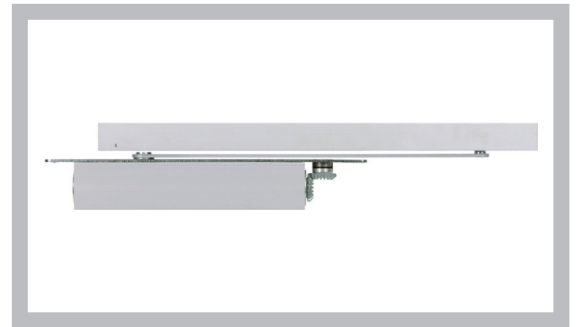
- Mounting plate set for metal doors

Door Closer

**DC860 with G880
Cam Motion**

ASSA ABLOY DC860 with G880

- Concealed door closer with cam-motion technology and guide rail with electromechanical hold open device for single leaf doors
- Guide rail is in compliance with EN1155, Size EN3-6
- Fulfil barrier-free building requirements (DDA/ CEN TR 15894)
- Hold-open angle continuously adjustable between 80°- 120°
- Suitable for fire and smoke protection doors
- For single action doors up to 1250mm wide

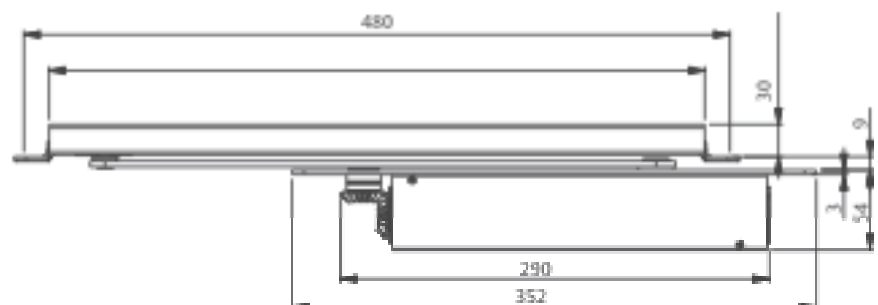
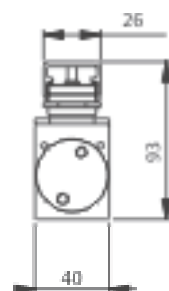


CE	Abloy Oy	10
	PO Box 108 80101 Joensuu, Finland	
0432-BPR-0050	EN1155:1997+A1:2002	3 8 $\frac{6}{3}$ 1 1 0



Characteristics of DC860 with G880:

- Concealed electromechanical hold-open device
- Continuously adjustable holding force
- Hold-open angle continuously adjustable between 80°- 120°
- Can be used for left and right-handed doors
- Closing speed and latching speed adjustable from top via regulating valves
- Built-in back-check
- Thermodynamic valves for consistent performance
- Large range of applications
- Versions with 4mm and 8mm spindle extensions
- Standard colour: Silver
- Customized finishes available on request



All dimensions are in mm

Door Closer

Technical details for DC860 with G880

Technical details:

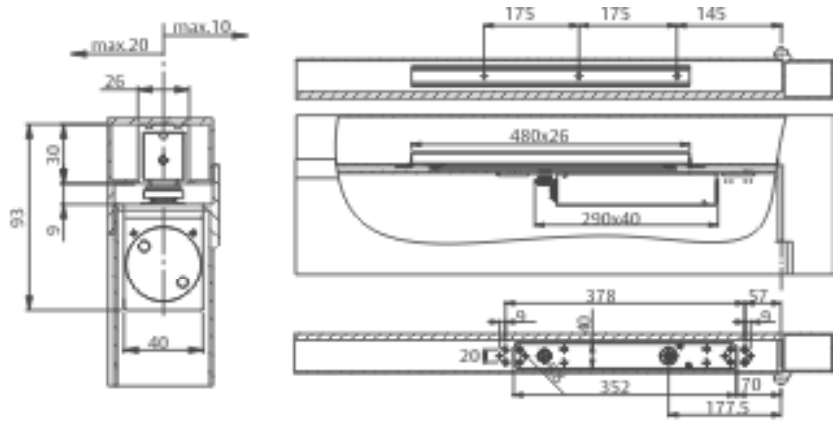
Supply voltage	24 V DC
Rated current consumption at 24 V	ca. 60 mA
Continuous duty	100% ED
Hold-open angle (continuously adjustable)	80° - 120°
Height	30mm
Depth	26mm
Length	493mm
Fire and smoke protection	Yes
In compliance with	EN1155
CE marking for building products	Yes
Facts for door closer	Yes, see DC860

Door Closer:

Dimensional drawings for DC860 with G880

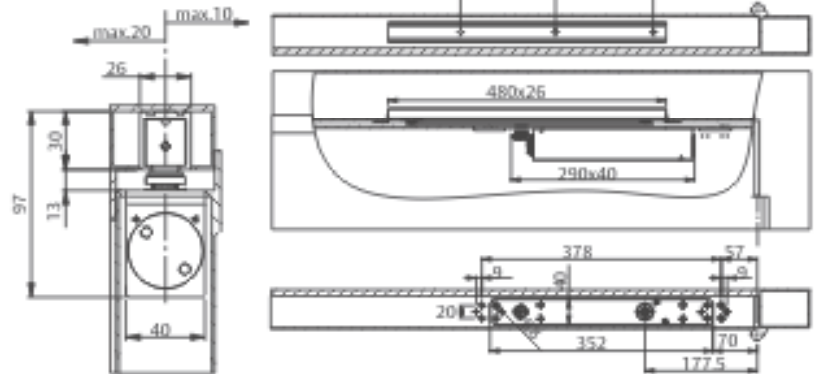
Installation dimensions for direct standard mounting on Hinge side:

Right-handed door shown in diagram, Left handed door is the reverse.



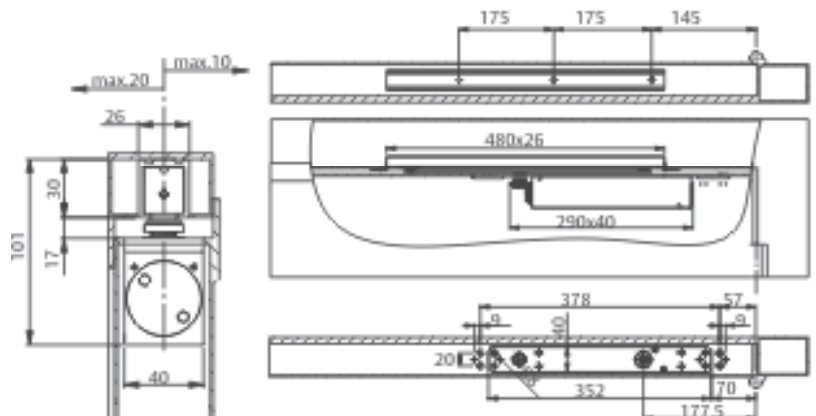
Installation dimensions with 4mm axis extension:

Right-handed door shown in diagram, Left handed door is the reverse.



Installation dimensions with 8mm axis extension:

Right-handed door shown in diagram, Left handed door is the reverse.



Door Closer - Surface Mounted DC280 SRHO

ASSA ABLOY

Door Closer

DC280 SRHO

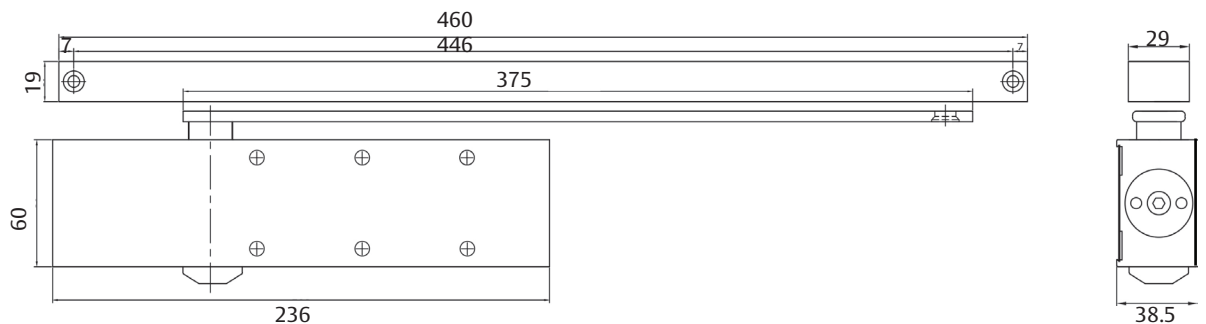
ASSA ABLOY DC280 SRHO:

- Rack and pinion door closer with slide rail
- Power size 2-5 adjustable by spring
- For single action doors up to 1250mm



Characteristics of DC280 SRHO:

- Can be used for left and right-handed doors
- Closing and latching speed adjustable via regulating valves
- Thermodynamic valves for consistent performance
- Parallel arm bracket (Optional)
- Standard colour: Silver, Black



Door Closer

Technical details
for DC280 SRHO

Technical details:

Closing force	Power size 2-5
Door width up to	1250mm
Fire and smoke protection	No
Door swing directions	Left / right handed
Closing speed	Variable between 180°-15°
Latching speed	Variable between 15°-0°
Backcheck	Yes
Hold-open	Yes
Height	60mm
Depth	38.5mm
Length	236mm
In compliance with	EN1154